

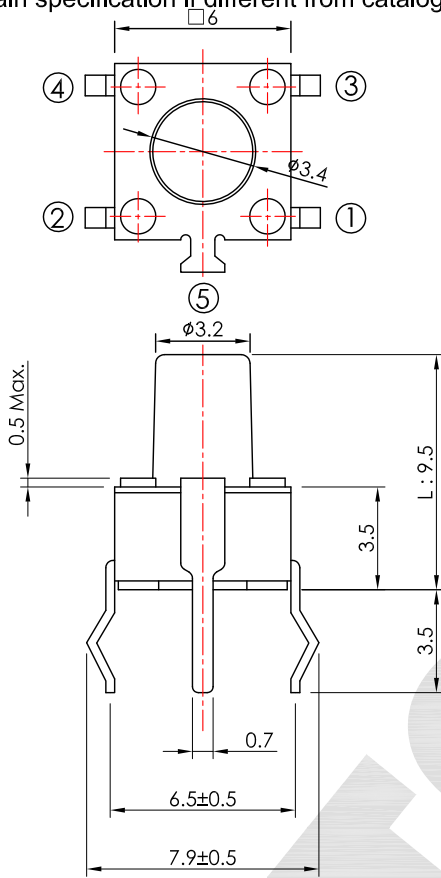
\*開關產品未經SWITRONIC同意，請勿拆解，否則無法負品質及安全責任。

Please do not decompose the switch without any permission from SWITRONIC, otherwise the quality and safety responsibility could not be guaranteed.

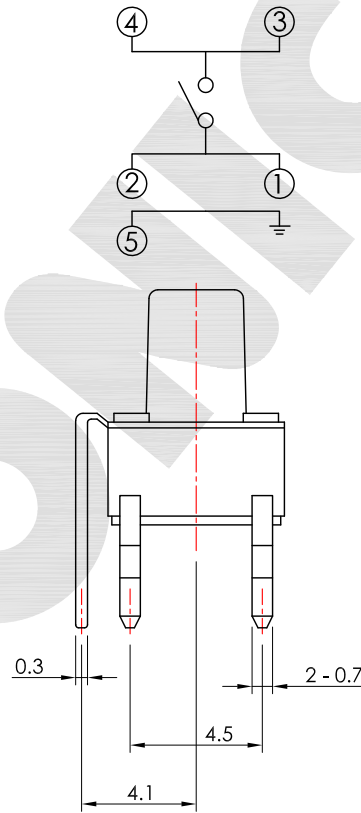
\*本圖面若與目錄之規格尺寸不符，以本圖面規格尺寸為主。

Below is our main specification if different from catalog.

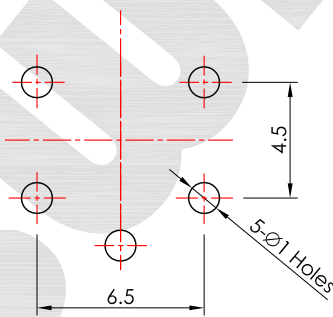
RoHS compliant



CIRCUIT DIAGRAM



P.C.B. LAYOUT



**SPECIFICATION**

- Rating: 50mA 12V DC Max.
- Circuit: SPST.
- Function: OFF-(ON).
- Travel: 0.25±0.15mm.
- Contact resistance: 100mΩ Max.(initial)
- Operating force: 130±50g.
- Minimum load: 10mA 3.3V DC.(reference only)
- Life: 100,000 Cycles Min.
- Soldering temperature: 250°C Max. for 3 sec.
- Soldering time: 1 time only.
- Note 1: Unwashable, don't be immersed by epoxy and orgainc solvent.
- Note 2: Please check the atual size, do not scale the drawing page.

RoHS compliant

06XXGHIM-XXXG-G

| MODEL NO. | L   | OPERATING FORCE |
|-----------|-----|-----------------|
| 70        | 7.0 | 130,160, 250    |
| 80        | 8.0 |                 |
| 85        | 8.5 |                 |
| 95        | 9.5 |                 |
| 97        | 9.7 |                 |



| CV3.4 | 符號 SYMBOL | 修改內容 ALTERATION | 更新日期 DATE  |
|-------|-----------|-----------------|------------|
| CV3.3 | 無         | 改版              | 2015.04.10 |
| CV3.2 | 無         | 改版              | 2007.09.05 |
| CV3.1 | 無         | 圖框變更            | 2005.11.29 |
| CV3.0 | 無         | 新繪製             | 2004.03.10 |

|                      |                    |                     |    |   |  |                        |  |
|----------------------|--------------------|---------------------|----|---|--|------------------------|--|
| <b>產品</b><br>PRODUCT |                    | <b>Tact Switch</b>  |    | <b>型號</b><br>MODEL NO.  |  | <b>0695GHIM-130G-G</b> |  |
| 比例<br>SCALE          | 4 : 1              | 單位<br>UNIT          | mm | <p style="text-align: center;"><b>一綺電子企業股份有限公司</b></p> <p>總公司：110 台北市信義路四段415號13樓之3<br/>13F-3 NO. 415, SEC. 4, HSIN YI ROAD, TAIPEI, TAIWAN<br/>TEL : 886-2-27290229 (Rep.) FAX : 886-2-27582086<br/>URL : http://www.switronic.com.tw<br/>E-MAIL : switches@ms36.hinet.net</p> |  |                        |  |
| 公差<br>TOLERANCE      | ±0.3mm             |                     |    |   |  |                        |  |
| 製圖<br>DRAWN BY       | 核圖<br>CHECKED BY   | 主管<br>APPROVED BY   |    |   |  |                        |  |
| <i>Peter Kuo</i>     | <i>Chuck Young</i> | <i>Margaret Lee</i> |    |   |  |                        |  |