

THIS DRAWING IS UNPUBLISHED.

RELEASED FOR PUBLICATION

© COPYRIGHT - TE Connectivity Ltd.

ALL RIGHTS RESERVED.

REVISIONS

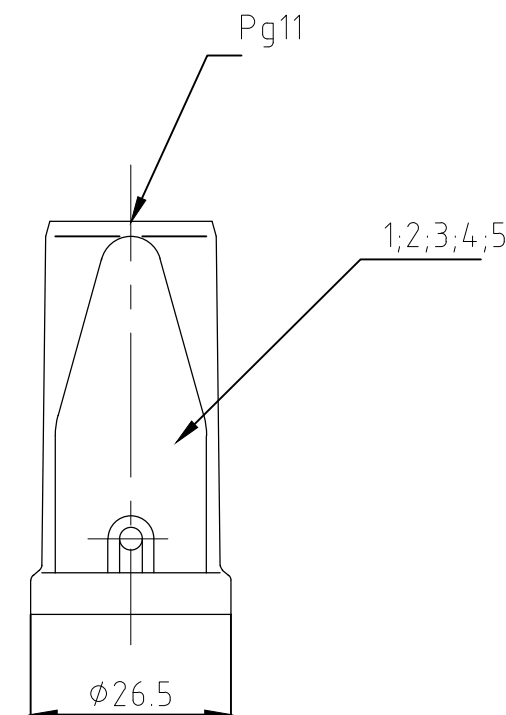
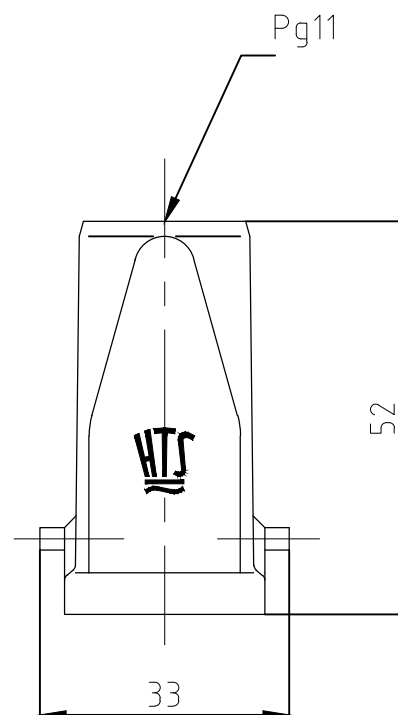
P	LTR	DESCRIPTION	DATE	DWN	APVD
	A10	REVISED PER ECR-17-013084	02APR2018	NG	MKO

Notes:

- 1 Material: zinc diecast
- 2 Surface: Powder coated grey, black, blue
- 3 Varnish on the inside not necessary
- 4 Packaging quantity 10 pieces
- 5 OBSOLETE PARTS: OBSOLETE CIS STREAMLINING PER D.RENAUD/D.SINISI

Bemerkungen:

- 1 Material: Zink-Druckguß Legierung
- 2 Oberfläche: Pulverbeschichtet grau, schwarz, blau
- 3 Lackierung im Gehäuseinnere ist nicht notwendig
- 4 Verpackungsmenge 10 Stück



OBSOLETE

OBSOLETE

1	-	-	-	Plug housing HA.3	Zink/zinc diecast	-	light blue 5012/blue	5		
-	1	-	-	Plug housing HA.3	Zink/zinc diecast	-	aluminum color	4		
-	-	1	-	Plug housing HA.3	Zink/zinc diecast	-	unvarnished	3		
-	-	-	1	Plug housing HA.3	Zink/zinc diecast	-	schwarz/black	2		
-	-	-	1	Plug housing HA.3	Zink/zinc diecast	-	grau/grey	1		
0-2	0-1	6-7	2-7	1-7	DESCRIPTION / BENENNUNG	MATERIAL	SURFACE / OBERFLÄCHE	COLOR / FARBE	ITEM NO. POS.	REMARKS / BEMERKUNGEN

HA.3.STO.1.11.Z

HA.-K.3.STO.1.11.Z

HA.3.STO.1.11.Z

HA.-K.3.STO.1.11.Z

HA.3.STO.1.11.Z

THIS DRAWING IS A CONTROLLED DOCUMENT.

DIMENSIONS: mm

TOLERANCES UNLESS OTHERWISE SPECIFIED: GENERAL TOLERANCES n. ISO 8015

0 PhCSO 2768 ±mH -E  
1 PLC ±-  
2 PLC ±-  
3 PLC ±-  
4 PLC ±-  
ANGLES ±-

MATERIAL: -

FINISH: -

DWN Schneider 08.12.1998

CHK Schweiger 08.12.1998

APVD -

PRODUCT SPEC 108-74000

APPLICATION SPEC 114-74002

WEIGHT 0.000000

CUSTOMER DRAWING

NAME: Hood HA.3.STO Steckergehaeuse HA.3.STO.1.11.Z

SIZE: A3 CAGE CODE: 00779 DRAWING NO: C-1102101 RESTRICTED TO: -

SCALE: 1:1 SHEET: 1 OF 1 REV: A10