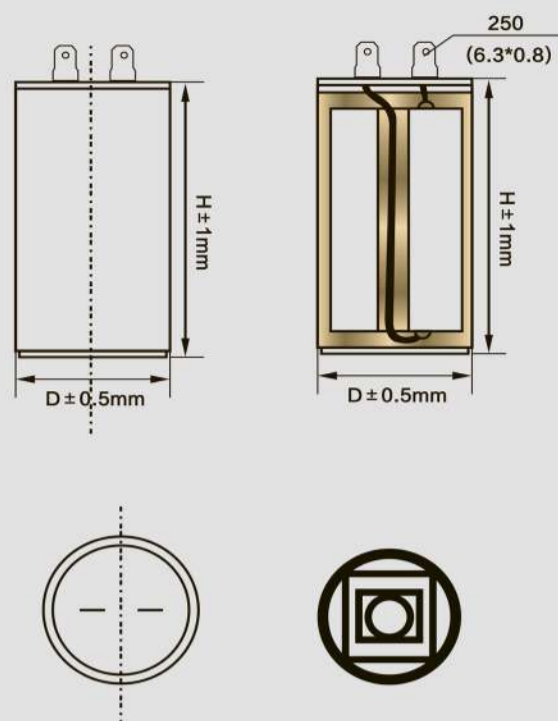


Product Anatomy



Motor run capacitors features:

- ◆ Non induction winding structure of metallic polypropylene membrane.
- ◆ It is small in bulk, has long life-span and good self-healing characteristic.
- ◆ High insulating resistance, little temperature changing inside, excellent stability of capacitance.
- ◆ Non-toxic and non-leaking, profit environmental protection.

Usages:

- ◆ Suitable for starting and operating 50Hz(60Hz)AC single-phase electromotor.
- ◆ Widely used as the start-up and running capacitor that is special for micro water pump, cleaning machine, washing machine, and single-phase household electrical appliances.

Motor run capacitor alternate design include the followings:

- ◆ Use round plastic shell, and insulation sealed lid for sealing, plastic lid for sealing or resin for sealing.
- ◆ Flat bottom or fixing stud M8\*12
- ◆ Fasten terminals, Lug, wire, cable.
- ◆ Plastic can, ABS, PC.

Motor run capacitor specification

|                          |  |
|--------------------------|--|
| Capacitance range:       | 1-100mfd   |
| Capacitance tolerance:   | ± 5%, ± 10%  |
| Rated Alternate Voltage: | 250v, 370v, 400v, 450v   |
| Rated frequency:         | 50/60Hz  |
| Operating temp           | 40/85/21   |
| Insulation Resistance:   | T-T ≥ 3000M Ω .uf(20°C, 100VDC)<br>T-T ≥ 2000M Ω .uf(20°C, 100VDC)               |
| Dissipation Factor:      | Tan δ ≤ 0.002 (100Hz, 20°C)  |
| Approvals                | UL, TUV, CE  |
| Endurance Voltage:       | Between the eletrodes: 2.0Un2S<br>Between the eletrode and the shell: 2000vac 2S |



CBB60-A

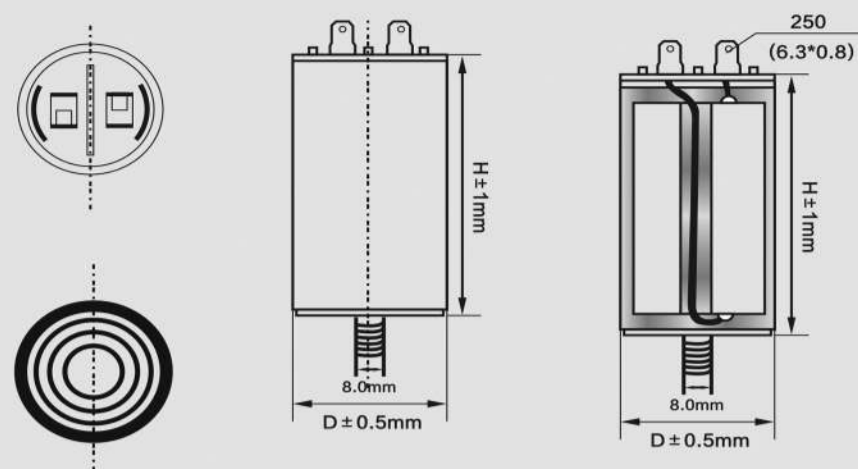


CBB60-B



CBB60-C

Product Anatomy



Motor run capacitor Dimensions:

| MFD    | 450VAC |       | 250VAC |       |
|--------|--------|-------|--------|-------|
|        | D(mm)  | H(mm) | D(mm)  | H(mm) |
| 1mfd   | 30     | 50    | 30     | 50    |
| 3mfd   | 30     | 50    | 30     | 50    |
| 5mfd   | 30     | 50    | 30     | 50    |
| 8mfd   | 35     | 60    | 30     | 50    |
| 10mfd  | 35     | 60    | 30     | 50    |
| 12mfd  | 35     | 70    | 35     | 60    |
| 15mfd  | 38     | 70    | 35     | 60    |
| 18mfd  | 39     | 70    | 35     | 60    |
| 20mfd  | 40     | 70    | 35     | 60    |
| 25mfd  | 42     | 80    | 34     | 68    |
| 30mfd  | 42     | 90    | 42     | 70    |
| 35mfd  | 45     | 90    | 42     | 70    |
| 40mfd  | 50     | 90    | 42     | 70    |
| 45mfd  | 50     | 90    | 42     | 90    |
| 50mfd  | 50     | 100   | 42     | 90    |
| 55mfd  | 50     | 100   | 45     | 90    |
| 60mfd  | 50     | 100   | 45     | 90    |
| 70mfd  | 50     | 120   | 50     | 100   |
| 80mfd  | 60     | 120   | 50     | 100   |
| 90mfd  | 60     | 120   | 50     | 100   |
| 100mfd | 60     | 120   | 50     | 100   |

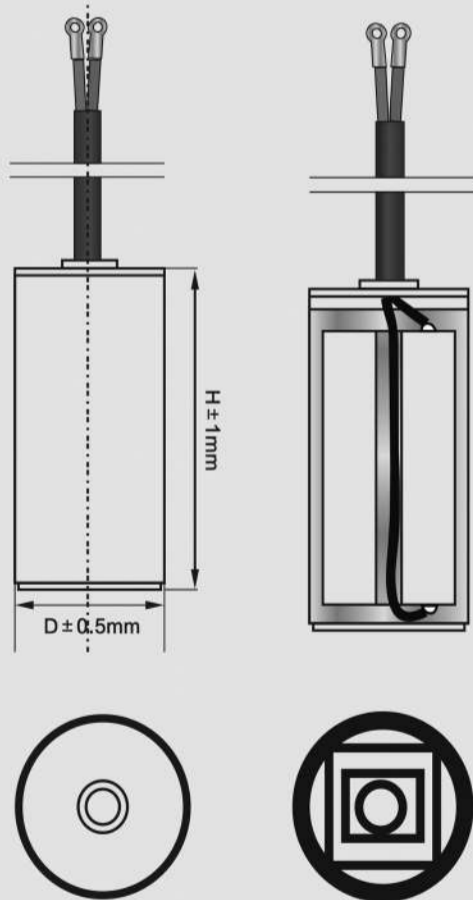


CBB60-D



CBB60-E

Product Anatomy



Motor run capacitors features:

- ◆ Non induction winding structure of metallic polypropylene membrane.
- ◆ It is small in bulk, has long life-span and good self-healing characteristic.
- ◆ High insulating resistance, little temperature changing inside, excellent stability of capacitance.
- ◆ Non-toxic and non-leaking, profit environmental protection.

Usages:

- ◆ Suitable for starting and operating 50Hz(60Hz)AC single-phase electromotor.
- ◆ Widely used as the start-up and running capacitor that is special for micro water pump, cleaning machine, washing machine, and single-phase household electrical appliances.

Motor run capacitor alternate design include the followings:

- ◆ Use round plastic shell, and insulation sealed lid for sealing, plastic lid for sealing or resin for sealing.
- ◆ Flat bottom or fixing stud M8\*12
- ◆ Fasten terminals, Lug, wire, cable.
- ◆ Plastic can, ABS, PC.

Motor run capacitor specification

|                          |  |
|--------------------------|--|
| Capacitance range:       | 1-100mfd   |
| Capacitance tolerance:   | ± 5%, ± 10%  |
| Rated Alternate Voltage: | 250v, 370v, 400v, 450v   |
| Rated frequency:         | 50/60Hz  |
| Operating temp           | 40/85/21   |
| Insulation Resistance:   | T-T ≥ 3000M Ω .uf(20°C, 100VDC)<br>T-T ≥ 2000M Ω .uf(20°C, 100VDC)               |
| Dissipation Factor:      | Tan δ ≤ 0.002 (100Hz, 20°C)  |
| Approvals                | UL, TUV, CE  |
| Endurance Voltage:       | Between the eletrodes: 2.0Un2S<br>Between the eletrode and the shell: 2000vac 2S |



CBB60-F



CBB60-G

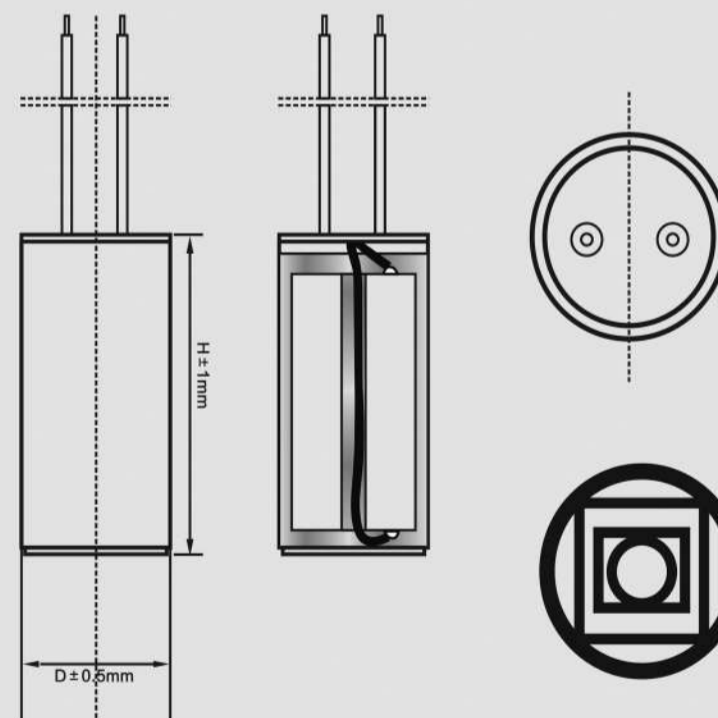


CBB60-H



CBB60-I

Product Anatomy



Motor run capacitor Dimensions:

| MFD    | 450VAC |       | 250VAC |       |
|--------|--------|-------|--------|-------|
|        | D(mm)  | H(mm) | D(mm)  | H(mm) |
| 1mfd   | 30     | 50    | 30     | 50    |
| 3mfd   | 30     | 50    | 30     | 50    |
| 5mfd   | 30     | 50    | 30     | 50    |
| 8mfd   | 35     | 60    | 30     | 50    |
| 10mfd  | 35     | 60    | 30     | 50    |
| 12mfd  | 35     | 70    | 35     | 60    |
| 15mfd  | 38     | 70    | 35     | 60    |
| 18mfd  | 39     | 70    | 35     | 60    |
| 20mfd  | 40     | 70    | 35     | 60    |
| 25mfd  | 42     | 80    | 34     | 68    |
| 30mfd  | 42     | 90    | 42     | 70    |
| 35mfd  | 45     | 90    | 42     | 70    |
| 40mfd  | 50     | 90    | 42     | 70    |
| 45mfd  | 50     | 90    | 42     | 90    |
| 50mfd  | 50     | 100   | 42     | 90    |
| 55mfd  | 50     | 100   | 45     | 90    |
| 60mfd  | 50     | 100   | 45     | 90    |
| 70mfd  | 50     | 120   | 50     | 100   |
| 80mfd  | 60     | 120   | 50     | 100   |
| 90mfd  | 60     | 120   | 50     | 100   |
| 100mfd | 60     | 120   | 50     | 100   |



CBB60-J



CBB60-K



CBB60-L



CBB60-M