

FYL- 10013XXX1A

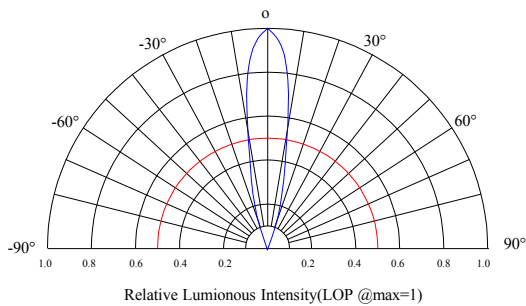
Features:

- General purpose leads
- RoHs compliant.

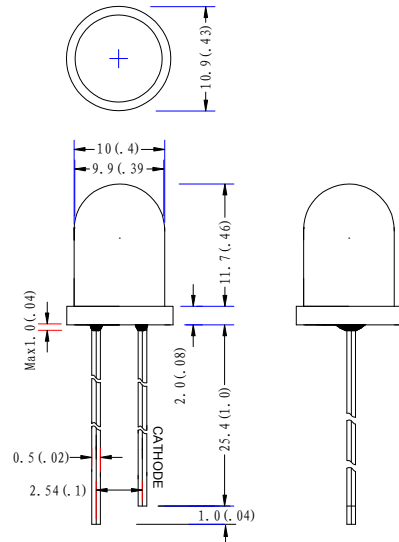
Descriptions:

- Dice material: GaP/GaAsP/InGaN/AlGaInP.
- Device Outline: $\Phi 10\text{mm}$ Round Type.

Radiation pattern.



Package configuration



- ◆ All dimensions are millimeters (inches)
- ◆ Tolerance is $\pm 0.25\text{mm}$ (.010") unless otherwise noted.

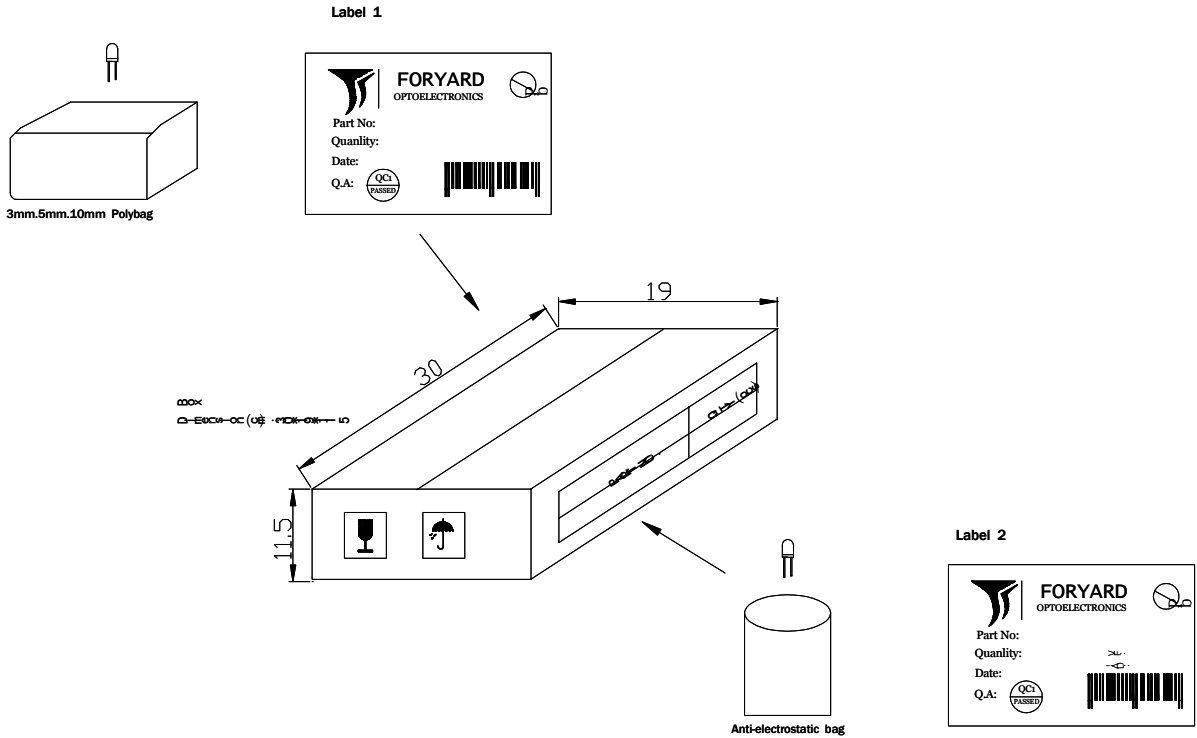
Absolute maximum ratings($T_a = 25^\circ\text{C}$)

Parameter	MAX.	Unit
Continuous Forward Current	20	mA
Derating Linear From 50°C	0.4	mA/ $^\circ\text{C}$
Reverse Voltage	5	V
Operating Temperature Range	-30°C to $+80^\circ\text{C}$	
Storage Temperature Range	-40°C to $+100^\circ\text{C}$	
Lead Soldering Temperature[4mm(.157") From Body]	260 $^\circ\text{C}$ for 5 Seconds	

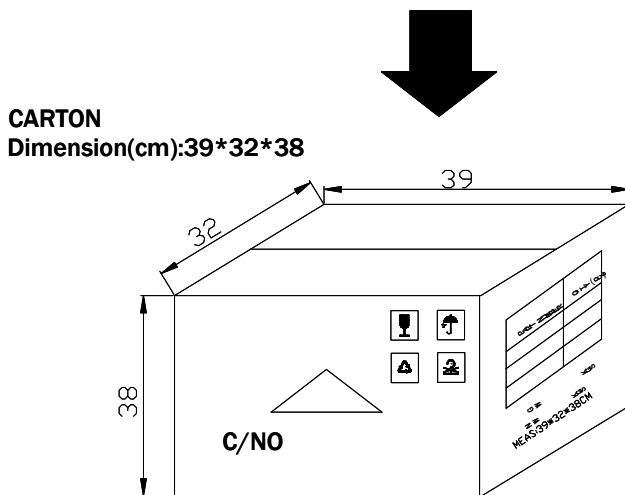
Optical Characteristics at TA = 25° C,IF=20mA.

Part Number	Lens Color	Wave length (nm)	Intensity (mcd)	Angle 2θ 1/2
FYL-10013HD1A	Red diffused	700	30	20
FYL-10013SRT1A	Red transparent	660	150	20
FYL-10013SRD1A	Red diffused	660	60	40
FYL-10013ET1A	Orange transparent	625	70	20
FYL-10013YD1A	Yellow diffused	588	35	40
FYL-10013GD1A	Green diffused	568	30	40
FYL-10013LRC1A	Water clear	660	1300	20
FYL-10013LRD1A	Red diffused	660	350	40
FYL-10013SURC1A	Water clear	630	1800	20
FYL-10013LURC1A	Water clear	630	8000	20
FYL-10013SURD1A	Red diffused	630	500	45
FYL-10013NURD1A	Red diffused	630	1300	25
FYL-10013LURD1A	Red diffused	630	2300	25
FYL-10013UED1A	Red diffused	625	200	50
FYL-10013SUEC1A	Water clear	625	1800	20
FYL-10013SUAC1A	Water clear	610	1800	20
FYL-10013SUYC1A	Water clear	588	1600	20
FYL-10013SUYD1A	yellow diffused	588	400	40
FYL-10013SUYW1A	White diffused	588	500	45
FYL-10013SUGC1A	Water clear	568	1000	20
FYL-10013SUGW1A	White diffused	568	550	45
FYL-10013PGC1A	Water clear	520	3000	20
FYL-10013BGC1A	Water clear	505	2800	20
FYL-10013UBC1A	Water clear	470	2200	20
FYL-10014UWC1A	Water clear	X:0.29 Y:0.30 CCT:9500K	11000	20

LAMP PACKING.



DEVICE	QTY/polybag(pcs)	Polybag/box A	Fig
5mm(T-1 3/4)	1000	8 bags	Label 1
3mm(T-1)	1000	10 bags	Label 1
10mm(T-1)	250	8 bags	Label 1
Blue/Green/White	500pcs	8 bags	Label 2



6 Boxes/Carton
 5mm:48,000pcs
 3mm:60,000pcs
 10mm:12,000pcs
 Blue/Pure Green/bluish Green
 /White:24,000pcs