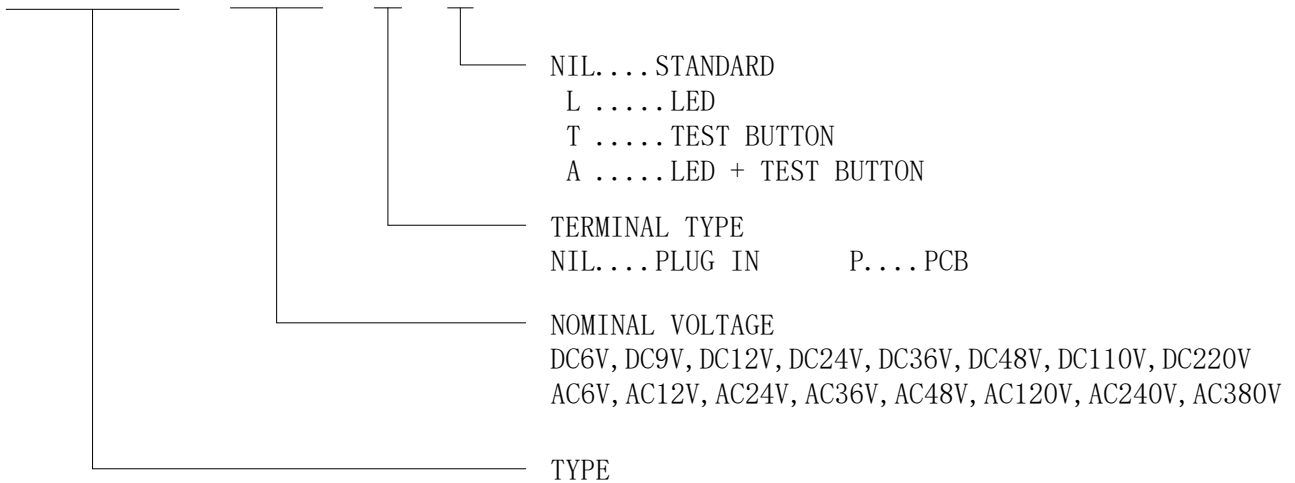




CE CSI:EMC/0009/12

ORDERING CODE 订购代码

HLS-13F-4 - DC12V - P - L



CONTACT DATA 触点参数:

Contact Form	触点形式	4C
Contact Material	触点材料	Ag Alloy
Contact Ratings	触点负载	10A 240VAC/30VDC
Max Switching Voltage	最大转换电压	250VAC/30VDC
Max Switching Current	最大转换电流	10A
Max Switching Power	最大转换功率	2500VA/300W
Initial Contact Resistance	接触电阻 (首次)	100mΩ Max at 6VDC 1A
Life Expectancy Electrical	电气寿命	100,000 Operations (rated load)
Life Expectancy Mechanical	机械寿命	10,000,000 Operations (no load)

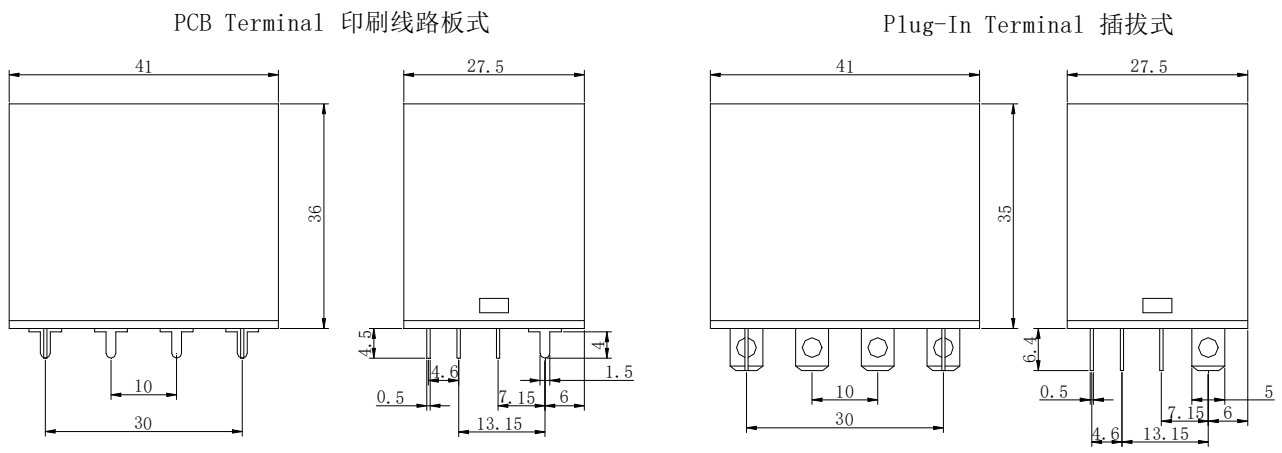
GENERAL DATA 一般参数:

Insulation Resistance	绝缘阻值	100MΩ min at 500VDC
Dielectric Strength Between Open Contacts	触点间耐压	1000VAC 50-60HZ (1 minute)
Dielectric Strength Between Contacts And Coil	触点与线圈间耐压	1500VAC 50-60HZ (1 minute)
Operate Time	吸合时间	25ms max
Release Time	释放时间	25ms max
Ambient Temperature	环境温度	-40°C to +70°C
Shock Resistance 冲击	Malfunction	动作极限
	Destruction	破坏极限
Vibration Resistance	振动	10-55Hz, 1.5mm double amplitude
Ambient humidity	湿度	40-85% RH
Weight	重量	Approx 60g
Safety Standard	安全标准	CE

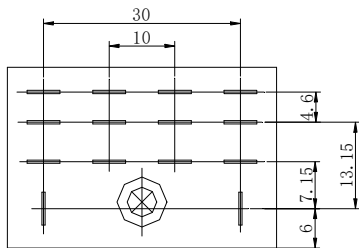
COIL DATA 线圈参数: (@20°C)

Rated Voltage 额定电压 (V)	DC Coil 直流线圈 1.5w			AC Coil 交流线圈 2.5VA		
	Coil Resistance Ω ($\pm 10\%$) 线圈阻值	Max Operate Voltage 最大吸合电压 (VDC)	Min Release Voltage 最小释放电压 (VDC)	Coil Resistance Ω ($\pm 10\%$) 线圈阻值	Max Operate Voltage 最大吸合电压 (VDC)	Min Release Voltage 最小释放电压 (VDC)
6	24	4.5	0.6	5	4.8	1.8
9	54	6.75	0.9	20	7.2	2.7
12	96	9	1.2	80	9.6	3.6
24	360	18	2.4	180	19.2	7.2
36	865	27	3.6	320	28.8	10.8
48	1540	36	4.8	1680	38.4	14.4
110	6800	82.5	11	-	-	-
120	-	-	-	2000	96	36
220	29000	165	22	-	-	-
240	-	-	-	8000	192	72
380	-	-	-	25500	304	114

Outline Dimension 外形尺寸 (mm)

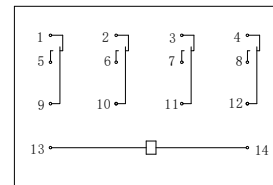


PC Board layout 安装图



(Bottom View 底视)

Wiring Diagram 接线图



(Bottom View 底视)

声明：本产品规格书仅供客户使用时参考，若有更改，恕不另行通知。

对合力顺而言，不可能评定继电器在每个具体应用领域的所有性能参数要求，因而客户应该根据具体的使用条件选择与之相匹配的产品，若有疑问，请与合力顺联系获取更多技术支持。但产品选型责任仅由客户负责。

©宁波合力顺电子有限公司版权所有，本公司保留所有最终解释权。

Таблица возможной замены реле

силовые реле

HONGFA	TIANBO	SONGLE	HELISUN	OMRON
HF3FF	HJR-3FF	SRD(T73)	HLS8-T73	G5L
HF10FF-2			HLS-MK2P	MK2
HF10FF-3Z			HLS-MK3P	MK3
HF13F			HLS-13F	
HF18FF	HJQ-22		HLS-4453(18F)-4	MY4
HF21FF	HJR-21FF	SRU(22F)	HLS8-22F	G5L-E
HF32F	TRG1	SRSB	HLS-32F	835/835NL
HF32FA/32FA-T	TRG1	SRSB	HLS-32F	835/835NL
HF32FA-G	TRG1	SRSB	HLS-32F	835/835NL
HF33F	TRG2	SRSC	HLS-33F	G5SB
HF62F	TRA2F	SMIH(14FHA)	HLS-14FK	G5J
HF46F/HF46F-G	TRGB			202/202H
HF49FD				G5J
HF102F	TRAF		HLS-102F	G4A
HF115F	TRC2	SMIH(14FH)	HLS-14F2	G2RL
HF115FP	TRC3	SMIH(14FH)	HLS-14F3	
HF140FF	TRA3		HLS-14F	G2R/G2RG
HF13F	HJQ-13F-2C	SMB(13F)	HLS-13F-2	LY2
HF2100	HJQ-15F-1	SLC(T91)	HLS-T91(16F)-1	G7G
HF105F - 4	HJQ-15F-3	SLCH(T92)		
HF105F-1	HJQ-15F	SLA(T90)	HLS-T90(15F)	G8P
HF2160	HJQ-15F-2	SLI(T93)	HLS-T91(16F)-2	G7G/G8G
HF165FD	HJQ-15F	SLA	HLS-T90(15F)	G8P
JQC-21FF	HJR-21FF	SRD(T73)	HLS8-22F	
HF7FF	HJR-7FF	SRG(4123)	HLS8-T73	
HF141FF	TRA1		HLS-14F1	G2R
HF14FW	TRA2	SMIH(14FH)	HLS-14F2	G2R
HF14FF	TRA1		HLS-14F	G2R
HF36F	TRA4			
HF42F	TRA5			G5PA-2
HF8	TRDH	SRI(T72)	HLS-T72	
HF102F			HLS-102F	G4A
HLS-4453(18F)-2		SMBH(4453)	HLS-4453(18F)-2	MY2
HF18FF-3Z			HLS-4453(18F)-3	MY3

сигнальные реле

HONGFA	TIANBO	SONGLE	HELISUN	OMRON
HFD2	HJR1	SRC	HLS-4078	G5V-2
HFD4				
HFD27	HJR1-2	SRC	HLS-4078	G5V-2
HFD41	HJR4102	SRS		
HF41F			HLS6-4100H-1	G2E
HM4101F	HJR4102E			
HFD23			HLS6-23F	G5V-1

автомобильные реле

HONGFA	TIANBO	SONGLE	HELISUN	OMRON
HFKM, HFKS	TRAW	SLE(4117)	HLS-4117	
HVF6	TRFM			G8HN
HFKP	TRKP	SLB	HLS-4120	G8PE
	TRS			
	TRV3			
HFV4	TRV4	SLD	HLS-CMA3	G8JN
	TRV5			
HFV7	TRV6	SLDH	HLS-CMA3-1	G8JR
HFKW	HJR78F	SRA(T74)	HLS-T78	G8QN
			HLS-4121/4122	
HFV6		SLM	HLS-CMA6	G8H