

## Product Specification

Product Class: LED LENS

Item No: **DK17330-12H1**

Material: PC

Certification: RoHS


Set up: Xuan Yang

Check: Xiaohui Liang

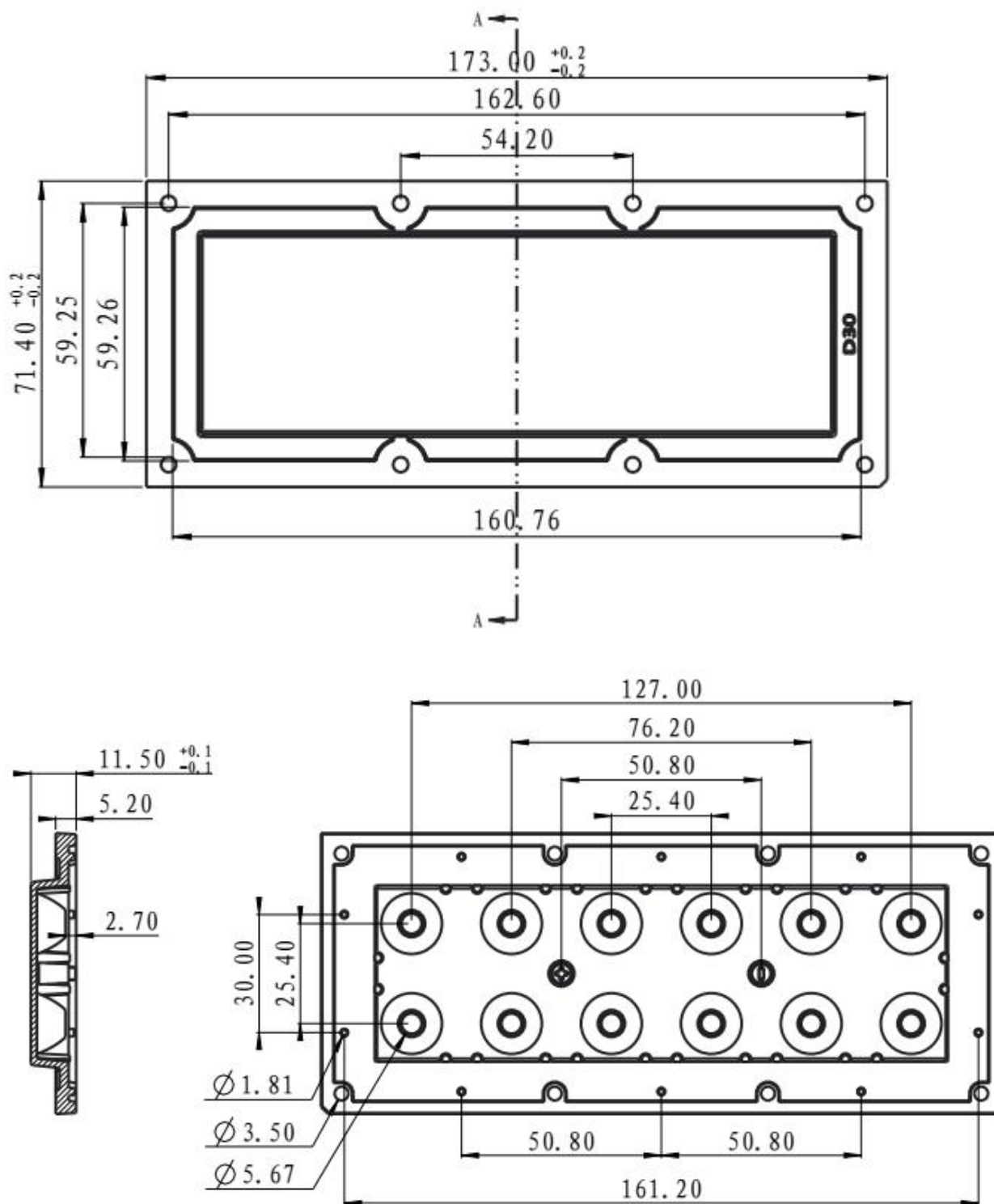
## Content

Specification-----	3
2D Drawing-----	4
Optical Datasheet-----	5
Packing-----	6
Application Notes-----	7

## Specification

Item No	Picture	Size	Matched LED	Lighting Application
DK17330-12H1		Diameter: $\Phi 173 \times 71.4 \text{MM}^2$ Height: 11.5mm FWHM: 30°	3535	Streetlight

## Drawing



截面 A-A

# Optical Test Report

## 产品特征

灯具种类:  
 电压: 0.0 V  
 功率: 0.00 W  
 电流: 0.000 A  
 功率因数: 0.000

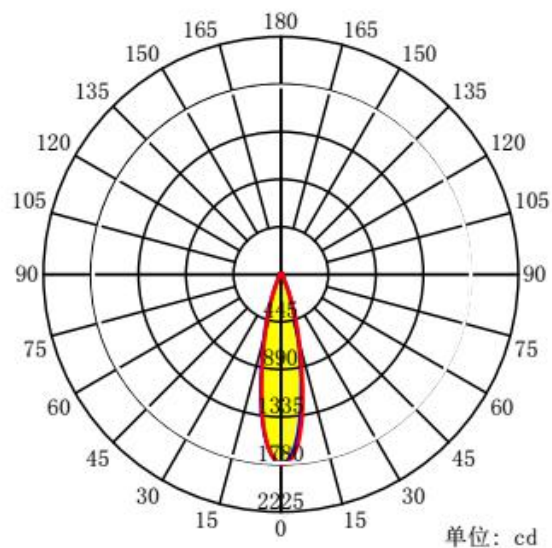
## 光度结果

灯具CIE分类: 直接型  
 灯具光通量: 452.9 lm  
 下射光通量比: 100%  
 水平扩散角 (25%, 50%, 75%, 100%): H35.1, H24, H15.8, H1  
 垂直扩散角 (25%, 50%, 75%, 100%): V35.2, V24.2, V16.1, V1  
 灯具光效等级 (LER): 453  
 峰值光强: 1779.74 cd  
 额定光通量: 452.9 lm  
 灯具效率: 100%  
 上射光通量比: 0%  
 中心光强: 1765.79 cd  
 峰值光强位置: H90 V1

灯具实物照片



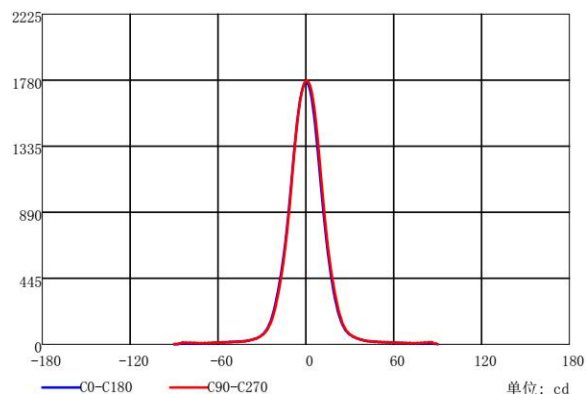
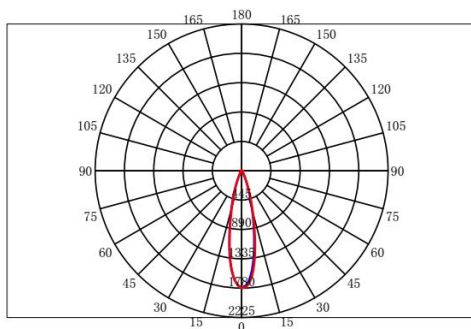
配光曲线



平均光束角 (50%): 24.1°

— C0-C180 — C90-C270 G1

配光曲线



## Packing

Material	Size	Packing Instruction
White paper	White paper	xxPCS/1 Box 4 Box/1 Carton
EPE	EPE(315*240)mm	
White Paperboard	A 级 (400g) 310*230/mm	
Box	320*245*115/mm	
Carton	A=B 505*330*255/mm	



## Application Notes

- (1) Please use a little water and soft fabric (air-laid paper) to clean the product if necessary.
- (2) Forbid to use industrial solvent to clean the product, such as alcohol.
- (3) The working temperature is  $-35^{\circ}\text{C}\sim+120^{\circ}\text{C}$ .
- (4) Storage environment temperature is  $0^{\circ}\text{C}\sim40^{\circ}\text{C}$ , humidity is 30%~95%.
- (5) The product has the function to change the ray of light, it is made of optical material, the effect shall be influenced once pollute. Please do not open the packing before use it, to avoid the dust pollution.
- (6) Protect the product from the sun and other ultraviolet ray, as these will lead to aging, change color, crack, etc.
- (7) Please wear gloves once install the product, avoid to abrasion the product surface.
- (8) Forbid to use acidic or alkaline solution touch the product, avoid to generate the chemical reactions.