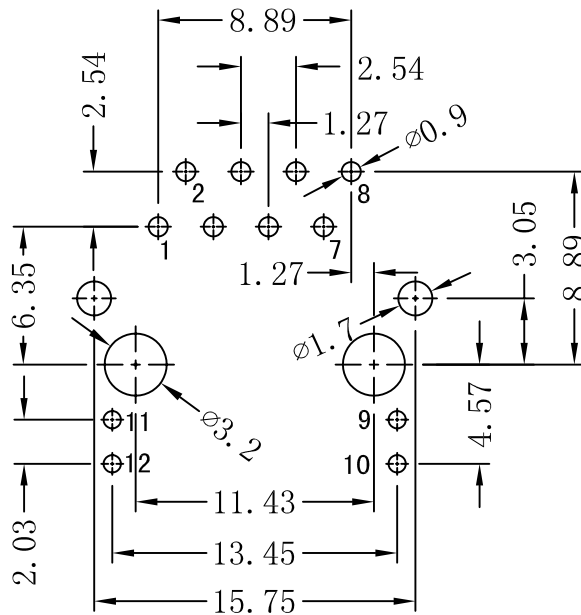
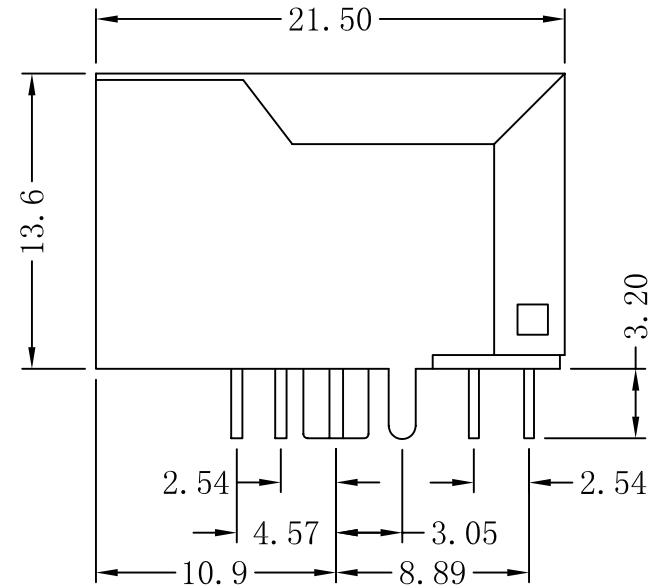
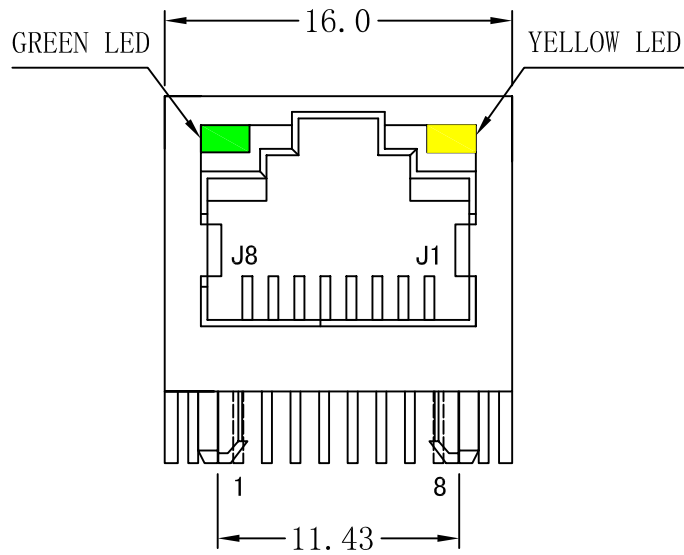


Mechanical:

REV.	ECN NO.	DESCRIPTION	DATE	APPD
A	REL		2010/11/10	



SUGGESTED PCB LAYOUT (TOP VIEW)



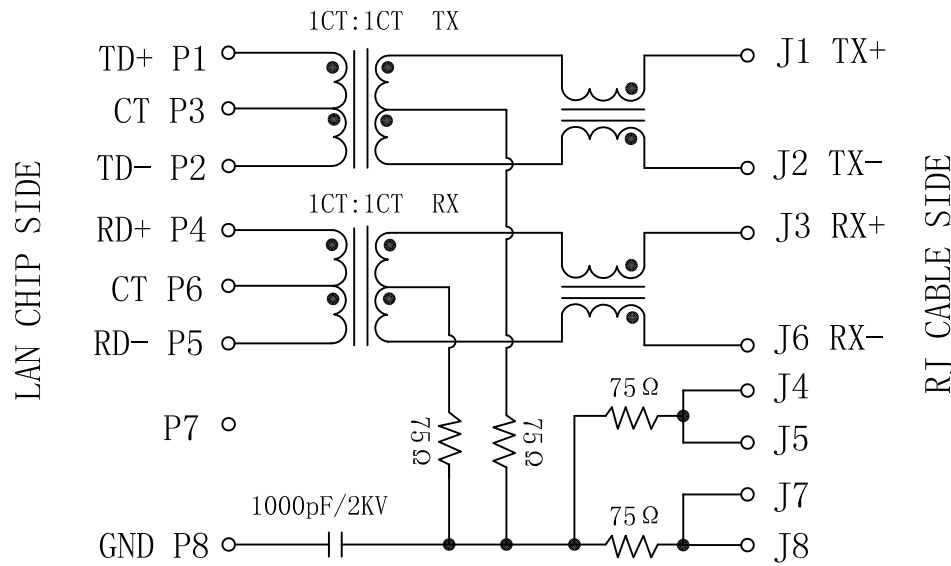
NOTES:

1. Designed to support application, such as SOHO (ADSL modems), LAN-on-Motherboard (LOM), hub and Switches.
2. Meets IEEE 802.3 specification
3. Connector Materials:
Housing: Thermoplastic UL94V-0
Contact/Shield: Copper alloy
Shield plating: Nickel
Contact plating: Gold 6 micro-inches min. In contact area.
4. Wave solder tip temperature: 265°C Max
Wave solder tip temperature time: 5 Sec Max
5. UL Certification: File Number E321120

X:X	±0.20	APPD:	Trxcom
X:XX	±0.10	CHKD:	ShenZhen Trxcom Electronics Co., ltd
X:XXX	±0.05	DR: C. H. Y	Title: RJ45 Connector With 10/100 Base-TX Integrated Magnetic TAB-UP
ANGLES	±1°	UNIT: mm	PART NO.: TRJ16093BENL
	SCALE: 2/1	SHEET: 1/2	REV: A DWG NO: TRC10111003

Schematic:

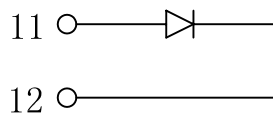
REV.	ECN NO.	DESCRIPTION	DATE	APPD
A	REL		2010/11/10	



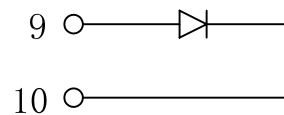
Electrical Specification @25°C

- Turns Ratio ($\pm 2\%$) :
TX=1CT:1CT RX=1CT:1CT
- Inductance OCL: 350uH Min
@100KHz 0.1Vrms 8mA DC bias current
- Insertion Loss:
0.1-100MHz:-1.0dB Max
- Return Loss(dB Min) :
1-30MHz:-18 40MHz:-16
50MHz:-14 60-80MHz:-12
- Crosstalk:
0.3-80MHz:-30dB Min
- Isolation Voltage:1500Vrms
- Operating Temperature: -40~+85°C

GREEN/LEFT LED



YELLOW/RIGHT LED



X:X	± 0.20	APPD:	Trxcom	
X:XX	± 0.10	CHKD:	ShenZhen Trxcom Electronics Co., ltd	
X:XXX	± 0.05	DR: C. H. Y	Title: RJ45 Connector With 10/100 Base-TX Integrated Magnetic TAB-UP	
ANGLES	$\pm 1^\circ$	UNIT: mm	PART NO.: TRJ16093BENL	
	SCALE: 2/1	SHEET: 2/2	REV: A	DWG NO: TRC10111003