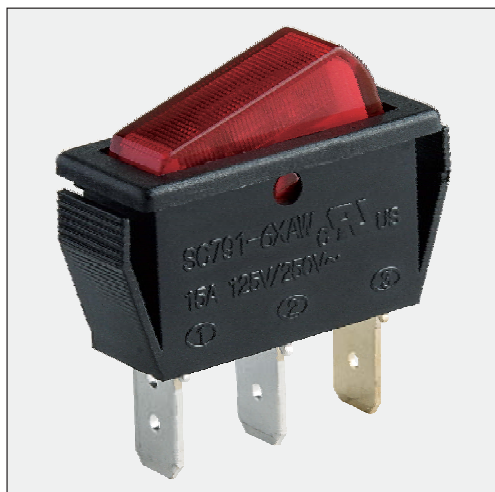
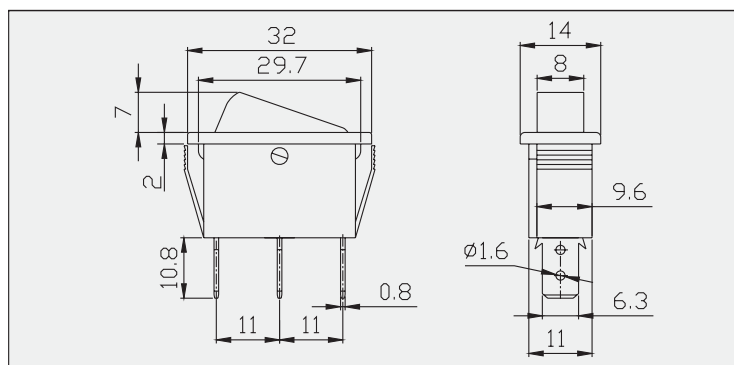


# SERIES SC791 SINGLE POLE ROCKER SWITCHES



SC791 - 6XAW-20



## APPLIANCE CUT-OUT

single pole		X=panel thickness		
	Y	X	Y	Z
		0.75~1.25	30.2-0.1	11.2+0.1
		1.25~2	30.4-0.1	11.2+0.1
		2~3	30.6-0.1	11.2+0.1

## ◆ PRODUCT ADVANTAGE

- Various rocker for your choice
- Excellent actuation characteristic
- Excellent SWPB spring support enough contact force and ensure mechanical life
- Accessional waterproof hat for your choice
- Usually use in oven、coffee maker、stirrer、power strip,ets

## ◆ TECHNICAL SPECIFICATIONS

Electrical rating	15A 125V/250VAC 15(4)A 250VAC 25T85
Electrical life	1E4
Mechanical life	5E4
Contact resistance	$\leq 20m\Omega$
Insulation resistance	$> 100M\Omega$
High voltage resistance	1500 VAC
Resistance to tracking	PTI 175
Contact gap DT with centre-OFF	$> 3mm$
Protection type	IP20
Ambient temperature	-25°C...+85°C
Flammability	UL94V-0
Heat and fire resistance	850°C
Material of housing and rocker	PA/PC
Material of Contacts	Ag or AgCdO
Material of Terminals	Copper Alloy
Temperature rise at the terminals (According to electrical life endurance)	Max.30K (UL1054) Max.55K (EN61058-1)
Push-on force of terminals	$\geq 96N$
Approval marks	
Suitable for appliances of protection class II	

