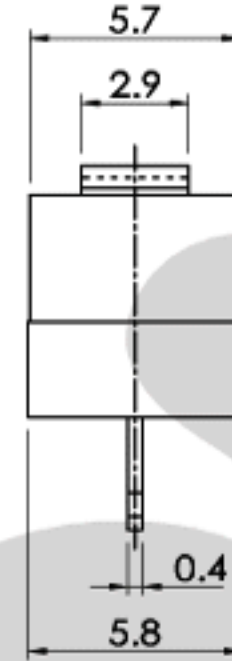
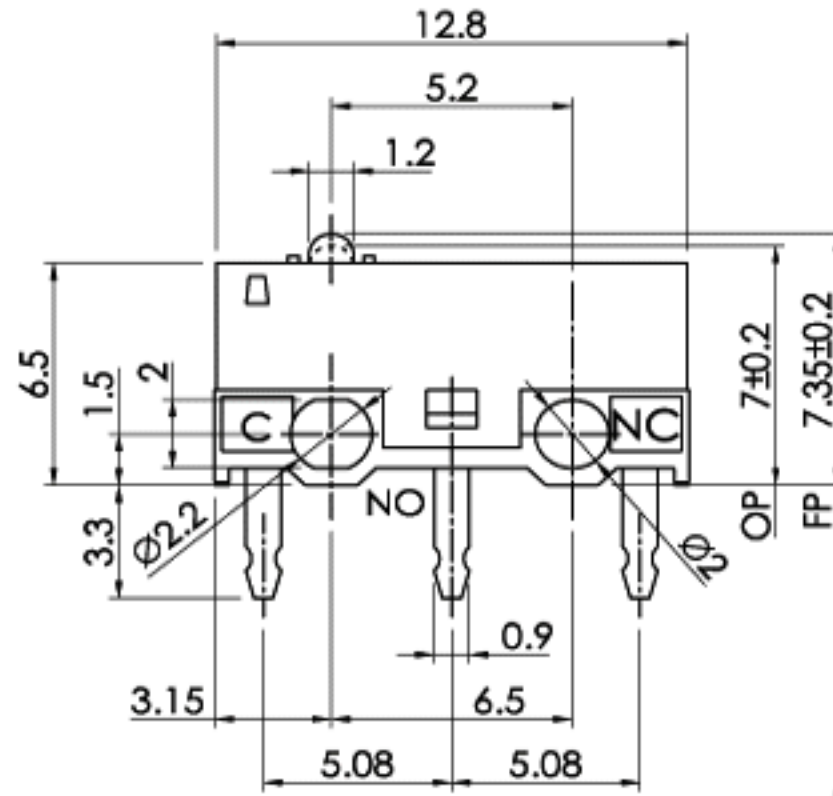
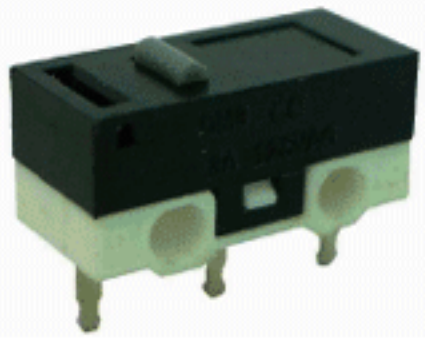


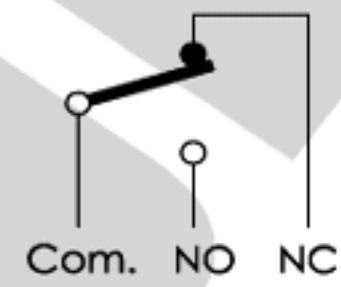
## SPECIFICATION:

Rating : DM1 : 1A 125V AC, DM3 : 3A 125V AC.	Mechanical Life : 500,000 Cycles
Insulation Resistance : >100MΩ at 500V DC	Electrical Life : 10,000 Cycles
Withstand Voltage : 500V AC for 1 minute	Ambient Temperature : -25°C ~ +65°C
Contact Resistance : ≤100mΩ	Ambient Humidity : < 85% RH
Soldering Temperature : < 225±5°C Max. for 3 sec.	Operating Force : On request

DM1-00P-110G  
DM3-00P-110G



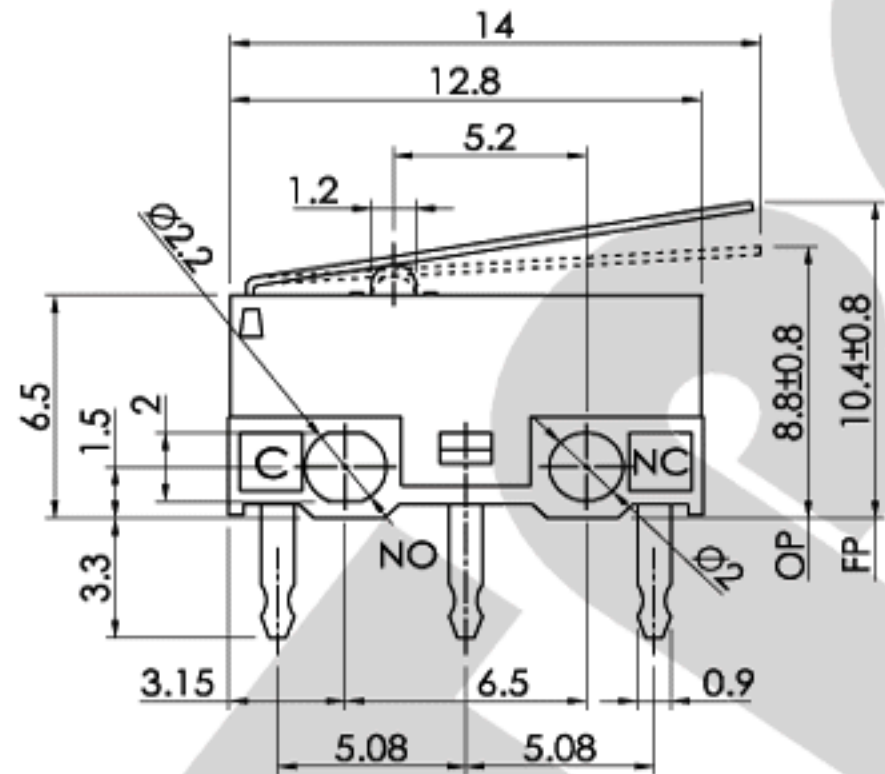
### SCHEMATIC



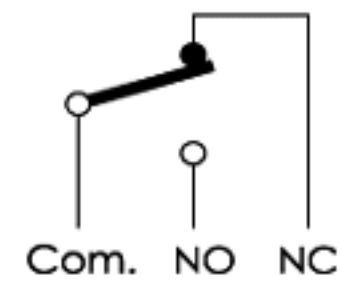
Operating Force (gf):  
60, 90, 110, 130g

※ ※  
※ : standard

DM1-01P-40G  
DM3-01P-40G



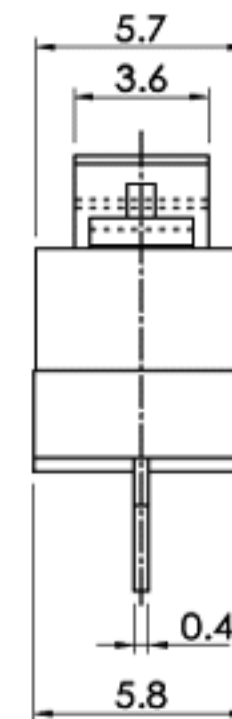
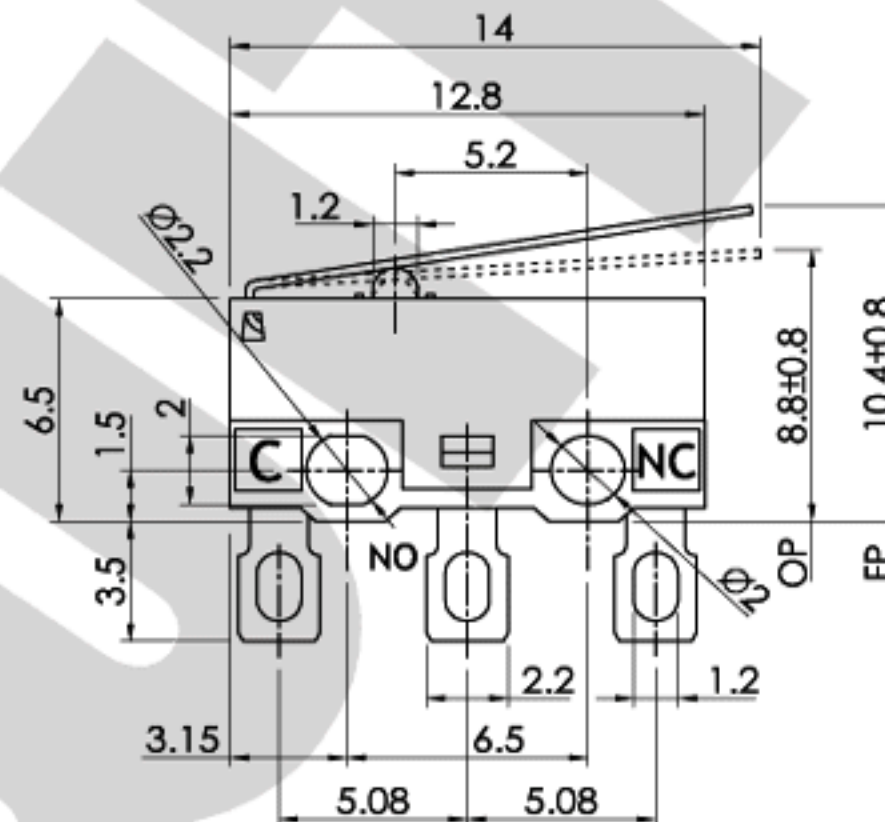
### SCHEMATIC



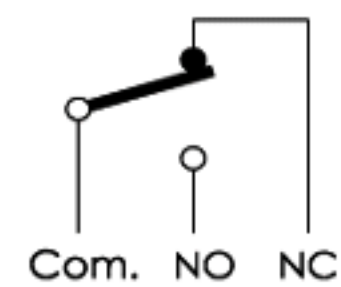
Operating Force (gf):  
20, 25, 30, 35, 40g

※ ※  
※ : standard

DM1-01N-30G  
DM3-01N-30G



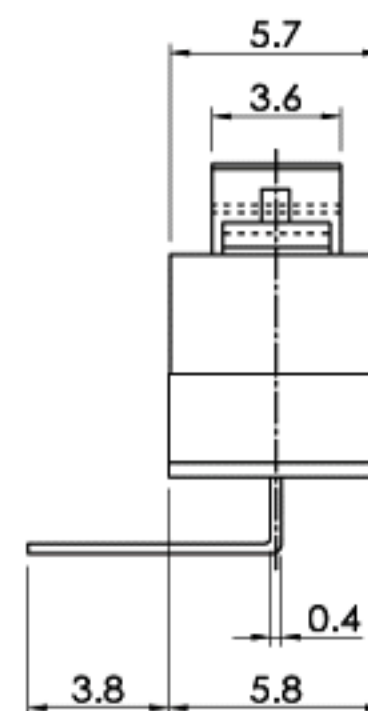
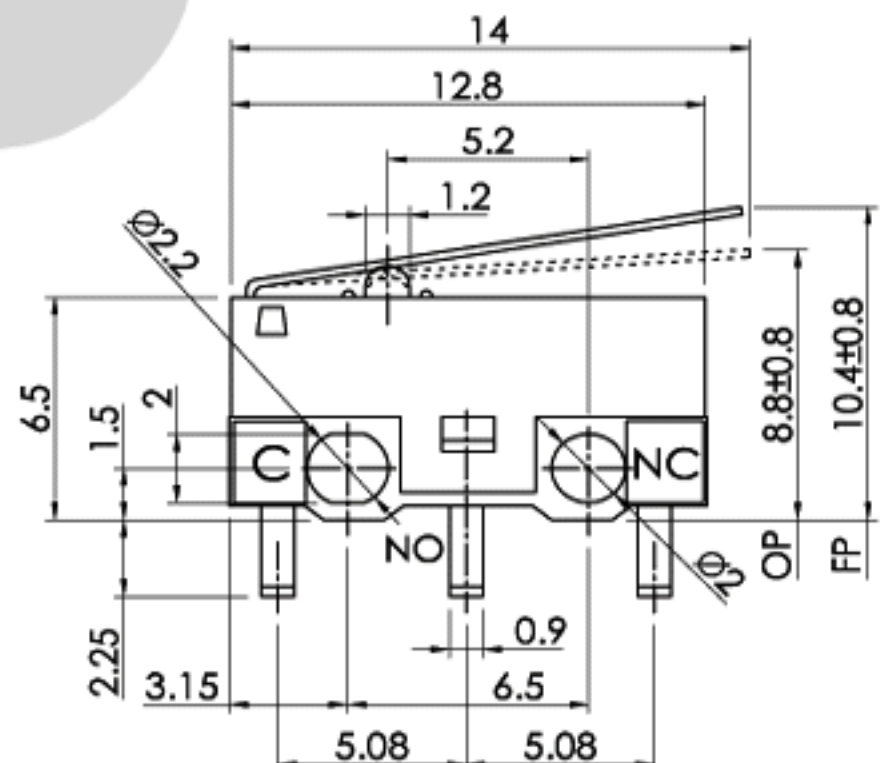
### SCHEMATIC



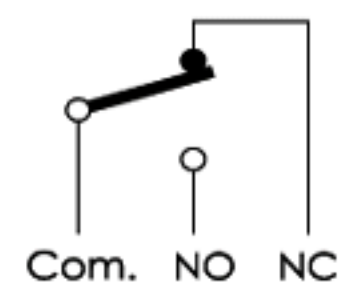
Operating Force (gf):  
20, 25, 30, 40g

※ ※  
※ : standard

DM1-01C-30G  
DM3-01C-30G



### SCHEMATIC



Operating Force (gf):  
20, 25, 30, 40g

※ ※  
※ : standard