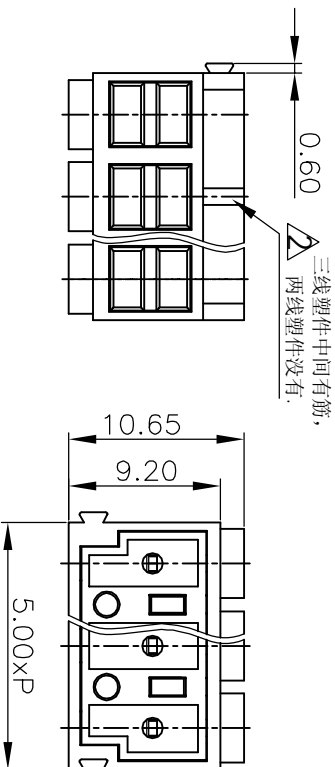
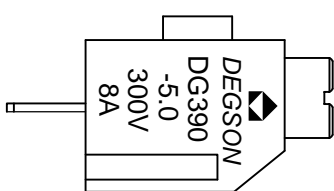
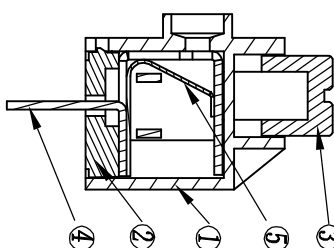
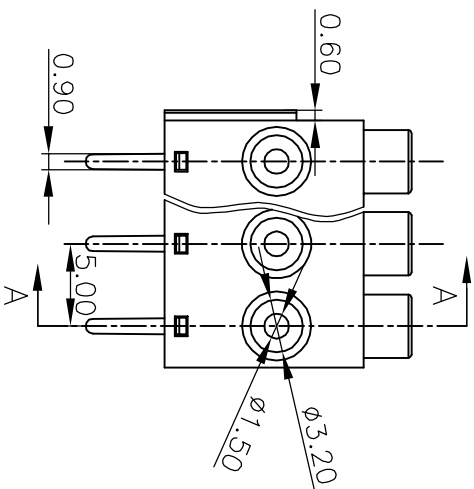
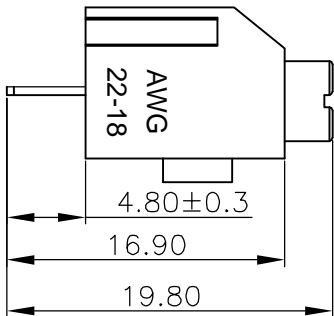


REVISION RECORD			
REV	ECO	DESCRIPTION	DATE
1		料号由300640Y01A变更为300640YXXA(H)	2/15/06*
2		增加区分两线三线的标注	03/15/06*
3		料号由300640Y010变更为300640Y01A	12/21/06*



Pitch range in mm		Normal dimension range in mm	
over 6	over 10	over 6	over 30
to 6	to 24	to 6	to 90
			to 200
			to 480
±0.10	±0.15	±0.25	±0.1
			±0.2
			±0.3
			±0.5
			±0.7
			±0.05S/10

- Notes:
1. Pitch: 5.0MM;
 2. Rated current: 8A;
 3. Rated voltage: 300V;
 4. Operation temperatures: -30° C~+120° C;
 5. Withstanding Voltage: AC1500V/1Min;
 6. Insulation resistance: 5000MΩ/1000V;
 7. Wire range: 22-18AWG, 1.0mm²;
 8. Undimensioned Tolerances:

5	DG390-5.0-Clamp	XX0000008900(H)	XX	Stainless	Steel
4	DG390-5.0-Pin header	3006B00010(H)	XX	Brass	Snce
3	DG390-5.0-Button	3006D0501A(H)	XX	PC	UL94V-2

DETACHED LISTS

ITEM	NAME OF PART	NO. OF PART	Q'TY	MATERIAL	NOTES
2	DG390 Cover	3006C0YXXA(H)	1	PBT	UL94V-0
1	DG390 Housing	300640YXXA(H)	1	PBT	UL94V-0

NAME: **DEGSON** 宁波德正电子有限公司
 DEGSON ELECTRONICS CO., LTD

DRAWING NO. DG390-5.0-E04
 /PART NO.
 DO NOT SCALE DRAWING

DATE	DATE	DATE	DATE
11/09/05*			