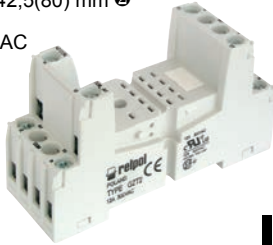


Plug-in sockets and accessories

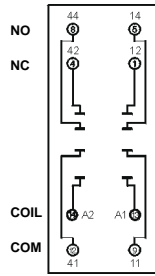
GZT2

For R2N

Screw terminals
 Max. tightening moment for the terminal: 0,7 Nm
 35 mm rail mount
 acc. to PN-EN 60715
 or on panel mounting
 76,3 x 27 x 42,5(80) mm ②
 Two poles
 12 A, 300 V AC



Connection diagram



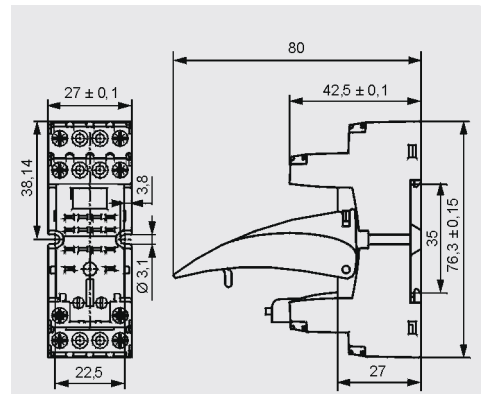
GZT4-0040

G4 1052



Module type M...

Dimensions



Accessories ①

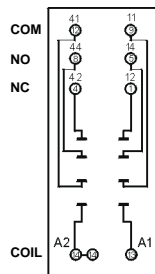
GZM2

For R2N

Screw terminals
 Max. tightening moment for the terminal: 0,7 Nm
 35 mm rail mount
 acc. to PN-EN 60715
 or on panel mounting
 75 x 27 x 61(82) mm ②
 Two poles
 12 A, 300 V AC



Connection diagram



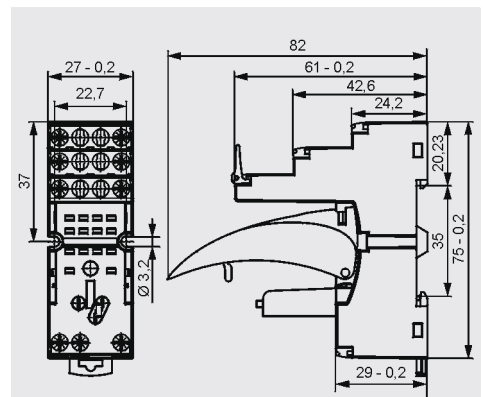
GZT4-0040

G4 1052



Module type M...

Dimensions



Accessories ①

GZMB2

For R2N

Spring terminals
 Max. cross section of the cables:
 1 x 0,2...1,5 mm²
 (1 x 24...16 AWG)
 Length of the cable deinsulation:
 9...11 mm

35 mm rail mount
 acc. to PN-EN 60715
 95 x 31 x 42,5(80) mm ②
 Two poles
 10 A, 300 V AC



GZMB4-0040



TR

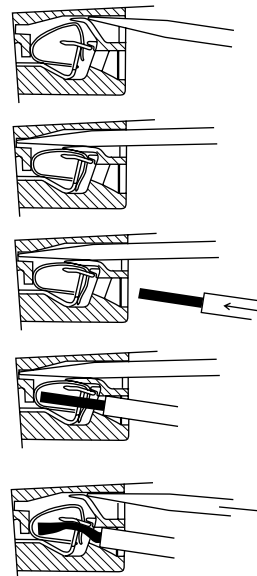
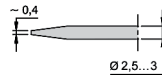
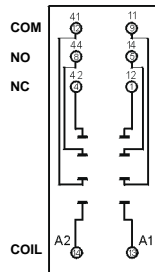


Module type M...

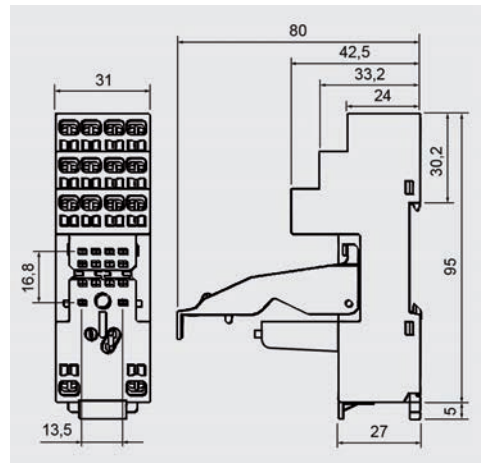


G4 1052

Connection diagram

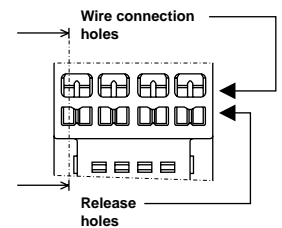


Dimensions



The drawings present the sequence of operations in course of inserting wires to the spring terminal, and the recommended screwdriver to be used for opening of case springs, comply with the DIN 5264 FORM „A“.

Wire connection



① Mounting and sub-assemblies of accessories in the socket - see page 9. Signalling / protecting modules type M... - see page 20.
 ② In the bracket the height of socket with retainer / retractor clip is shown.