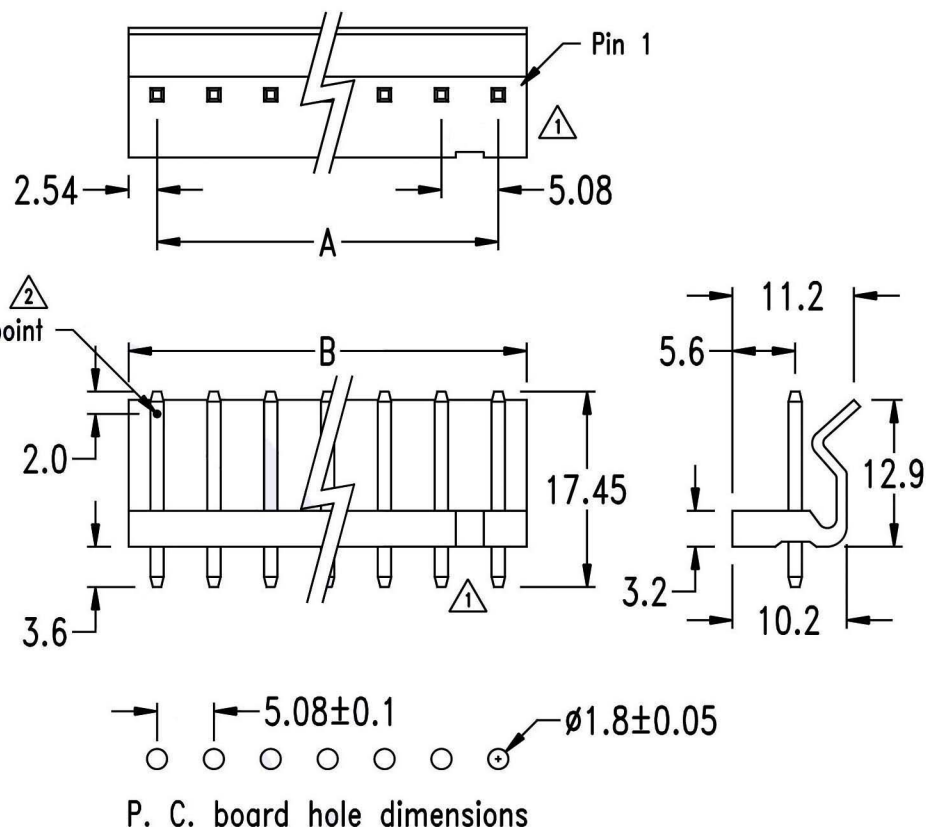
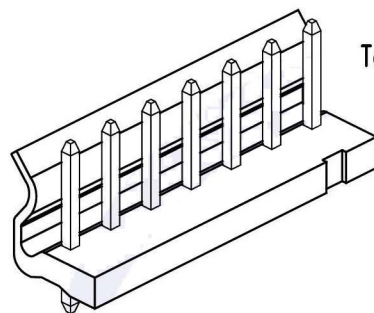


Features:

- 2 ~ 12 circuits available
- Plastic material: UL 94V-2 nylon 66
- Pin material: Brass
- Finished: Tin-plated 100u" over nickel 30u"
- .045"(1.14mm) square pin

Specification:

- Current rating: 7A
- Voltage rating: 250V AC, DC
- Contact resistance: 10mΩ Max.
- Insulation Resistance: 1000MΩ Min.
- Dielectric withstanding voltage: 1500V AC/minute
- Ambient temperature range: -40°C ~ 105°C
(including temperature rise)



Dimensional Information (mm)

Circuits	Dim. A	Dim. B
N	5.08 x (N - 1)	5.08 x N

&& N = 2 ~ 12

RoHS Compliant		HSM 玄茂科技股份有限公司	
		HSUAN MAO TECHNOLOGY CO., LTD.	
APPD. 核准		UNLESS OTHERWISE SPECIFIED TOLERANCE .000 ± 0.08 (mm) .00 ± 0.25 (mm) .0 ± 0.4 (mm)	PART NAME 品名
DWG. 製圖	Hedy	SCALE 比例 參考	5.08mm WAFER 1X12P STRAIGHT TYPE WITH BACK WHITE COLOR ROHS
DATE 制表日	2017/01/17	UNIT 單位 MM	PART NO. 料號
		PAGE 張數 1 / 1	W5181-XXPSYTW0R
		REV. 版本 A	