

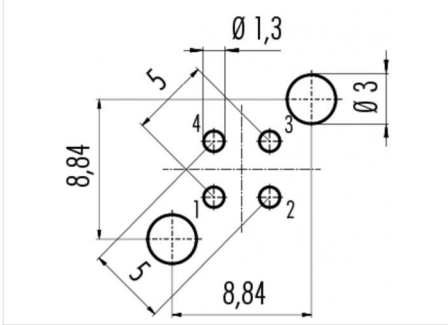
Product description **Contacts: 4, male panel mount connector with metal threaded sheath, dip-solder**

Area **M12-A Series 713/763**
 Order number **09 0431 212 04**

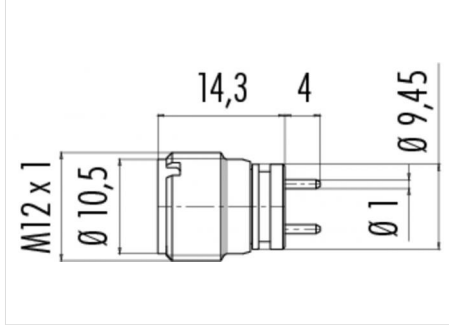
Illustration



Conductor layout



Scale drawing



Contact arrangement

	X	Y
1	2,50	0,00
2	0,00	2,50
3	-2,50	0,00
4	0,00	-2,50

1 braun/brown
 2 weiß/white
 3 blau/blue
 4 schwarz/black

Geschirmte Versionen: Schirm auf Gehäuse
 Shielded versions: shield on housing

You can find the assembly instructions on the next page.

Technical data

General values

Connector design	male panel mount connector
Connector locking system	bolted
Termination	dip-solder
Upper limit temperature	85 °C
Lower limit temperature	-40 °C

Electrical values

Rated current (40 °C)	4 A (3 A UL)
Rated voltage	250 V
Rated impulse voltage	2500 V
Pollution degree	3
Overvoltage category	II
Insulating material group	III
Volume resistivity	≤ 3 mΩ
Insulation resistance	>10 ⁸ Ω
EMC compliance	not shielded
Degree of protection	IP67
Mechanical operation	> 50 Mating cycles

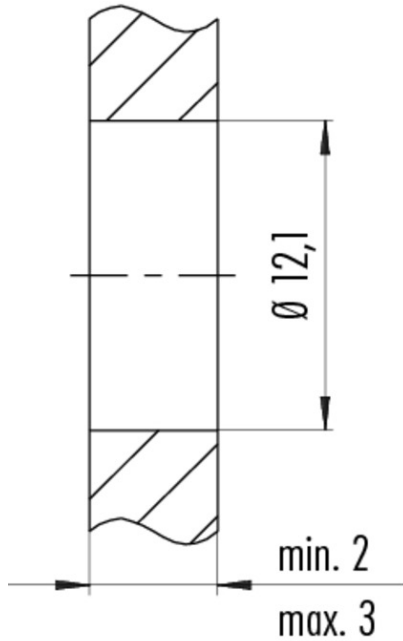
Material

Contact material	CuZn (brass)
Contact plating	Au (gold)
Contact body material	PA
Housing material	PA

Product description **Contacts: 4, male panel mount connector with metal threaded sheath, dip-solder**

Area **M12-A Series 713/763**
Order number **09 0431 212 04**

Assembly instructions / Panel cut-out



Anzugsdrehmoment / *Tightening torque*
M12 x 1 6,25 Nm

Product description	Contacts: 4, male panel mount connector with metal threaded sheath, dip-solder
Area	M12-A Series 713/763
Order number	09 0431 212 04

Security notices

The connector must not be connected or separated under load. Non-observance and incorrect use can result in personal injury.

The connectors are designed for use in plant, control system and electrical equipment. The end user is responsible for checking whether the connectors are suitable for use in other applications.

Connectors with degree of protection IP 67 and IP 68 are not suitable for use under water. When used outdoors, the connectors must be separately protected against corrosion. For further information about IP degrees of protection refer to 'Technical support' in the Download Centre.