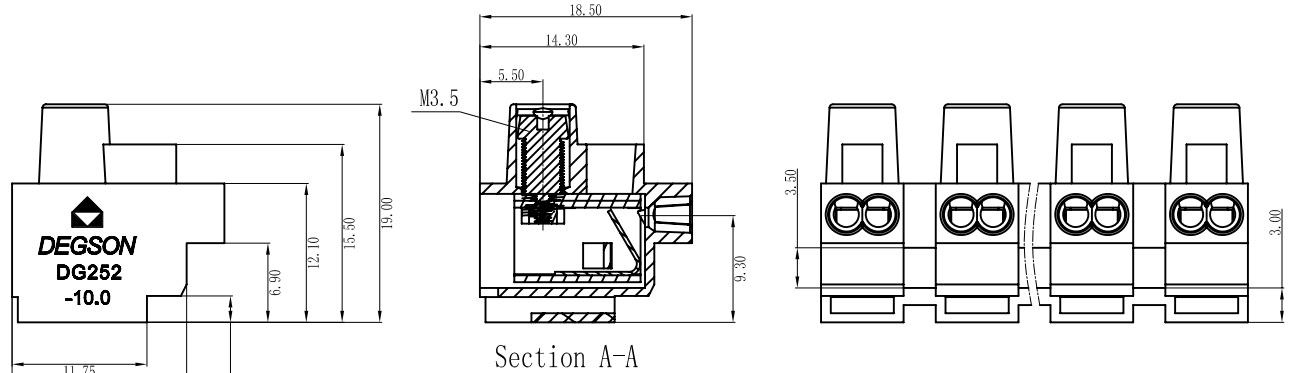
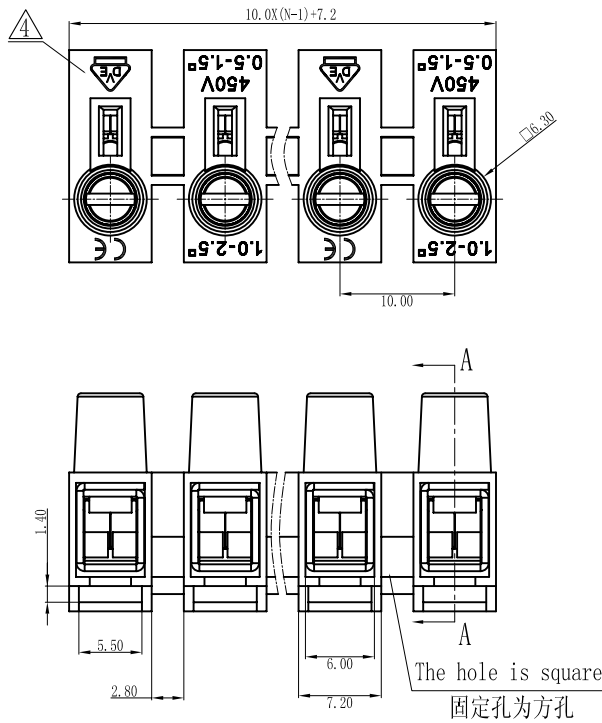


REVISION RECORD					
REV	ECO	DESCRIPTION	DRFT	DATE	
1		品名、料号增加环保标示“(H)”	CSX	12/12/07*	
2		改为右边刻字	WLM	09/02/08*	
3		增加方孔备注	WLM	10/29/08*	
4		增加VDE刻字	Zengy	08/27/09*	

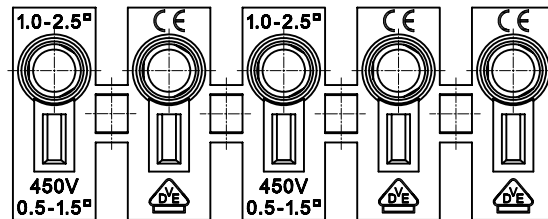


Notes:

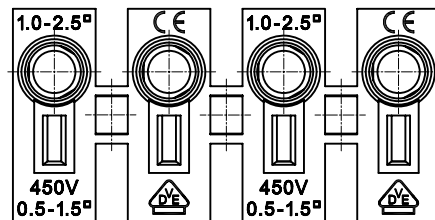
1. Pitch: 10.0mm, Poles: 2-12P
2. Rated voltage/current: UL1059 300V/10A
VDE 450V/17.5A
3. Operation temperatures: -40°C ~ +105°C
4. Withstanding Voltage: AC2000V/1min
5. Insulation Resistance: 50000Ω/DC1000V
6. Wire Range: Screwless 0.5~1.5mm² 22~16AWG
Screw 1.0~2.5mm²
7. Max. Torque Value: M3.5, 4.08kgf.cm
8. Undimensioned Tolerances:

Pitch range in mm		Nominal dimension range in mm					—
to 6	over 6 to 10	over 10 to 24	to 30	over 30 to 60	over 60 to 100	over 100 to 150	∩ ◇
±0.10	±0.15	±0.25	±0.2	±0.3	±0.5	±0.7 ± 1.0	0.05/0

(2XX+1)P 时
最后两线刻字相同



(2XX)P 时
最后两线刻字不同



3	DG252-Cage	X000001070 (H)	XX	Steel	Cr ³⁺ Zn
2	DG252-Screw M3.5	S000000890 (H)	XX	Steel	Cr ³⁺ Zn
1	DG252 Housing	2004A0YXXA (H)	1	PA66	UL94V-0
ITEM	NAME OF PART	NO. OF PART	Q'TY	MATERIAL	NOTES
DETAILED LISTS		MM (INCH)	DFTO L10M	DATE 03/29/06**	宁波高正电子有限公司 DEGSON ELECTRONICS CO., LTD NAME DG252-XXP-1Y-00A (H)
TOLERANCES EXCEPT AS NOTED		CHKD	DATE	MATERIAL : G.E : FINISH : SCALE : 1:1	
MM		MFO	DATE		
.0 ±		APPVL	DATE		
.00 ±		DRAWING NO. DG252-E01			SIZE A3
.000 ±		/PART NO.			REV T4 08/27/09*
ANGLES ± 1°		DO NOT SCALE DRAWING			SHEET 1 OF 1
THIRD ANGLE PROJECTION					