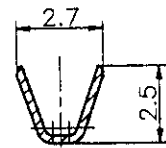
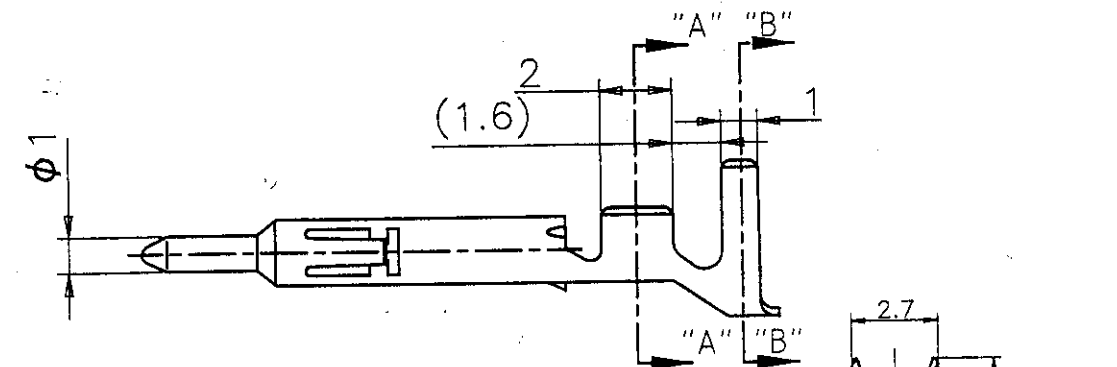
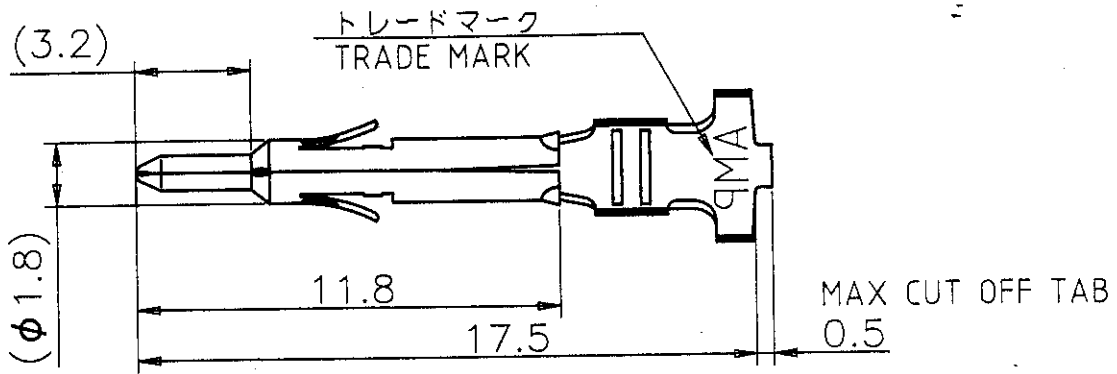
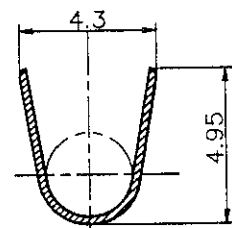


LOC	DIST	REVISIONS					
		P	LTR	DESCRIPTION	DATE	DWN	APVD
		B1		REVISED PER ECO-11-005030	22MAR11	RK	HMR



SECT A-A



SECT B-B

注記)

1. 使用ハウジングはキャップ及びプラグ
- △ 製品規格 108-5138,108-5151
- △ 取付適用規格 114-5050
4. 取扱説明書 411-5105

NOTES)

1. APPLICABLE HOUSING,CAP AND PLUG
- △ PRODUCT SPECIFICATION 108-5138,108-5151
- △ APPLICATION SPECIFICATION 114-5050
4. INSTRUCTION SHEET 411-5105

171638-1
型番 (PART NO.)

WIRE RANGE 適合電線径範囲 0.5-1.3mm ² AWG #20-16	INSULATION DIA 2.0-3.2mmDIA 被覆外径 2.4mmDIA X2
MATERIAL 材料 黄銅 (BRASS):0.25t	FINISH 仕上 PRE-TIN



DIMENSIONS: 單位 MM	DWN <i>ADZH</i> 16 FEB '00
TOLERANCES UNLESS OTHERWISE SPECIFIED: 一般公差	CHK <i>M.SL</i> 16 FEB 00
± 0.3	APVD <i>M.SL</i> 16 FEB 00
ANGLES ± 1°	PRODUCT SPEC 製品規格 表参照 SEE TABLE 2
	APPLICATION SPEC 取付適用規格 表参照 SEE TABLE 3

NAME 品名 PIN (LOOSE PIECE) MINI UNIVERSAL MATE-N-LOK			RESTRICTED TO
SIZE A4	CAGE CODE 00779	DRAWING NO C=171638	

CUSTOMER DRAWING

SCALE 5:1 SHEET 1 OF 1 REV B1

参考図面

THIS DRAWING IS UNPUBLISHED. ALL RIGHTS RESERVED. COPYRIGHT