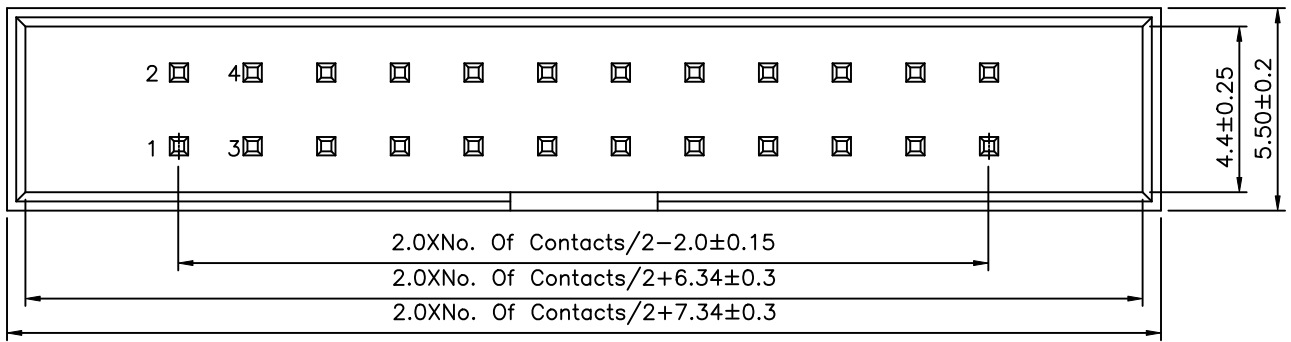
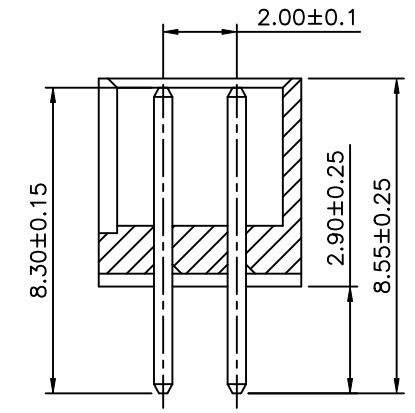
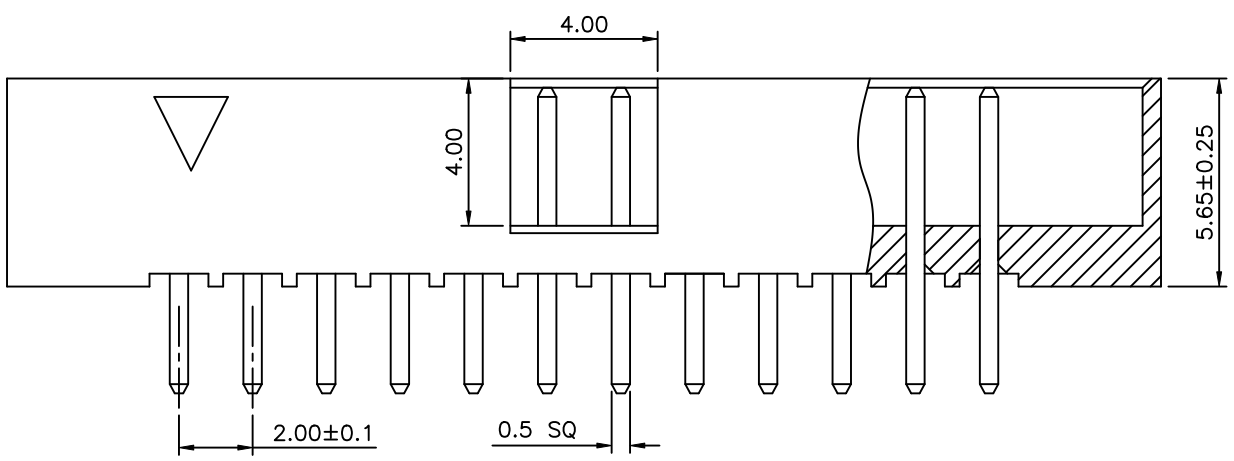


SPECIFICATION
 Current Rating:1.5 Amps
 Withstand Voltage:500V AC
 Contact Resistance:20 Milliohms Max.
 Insulation Resistance:1000 Megaohms Min.
 Operation Temperature:-40°C~+105°C
 Insulator:PA6T(UL94V-0),Black
 Contact:Brass,Gold Plated Over Nickel
 RoHS Compliant



MB D XX - H H
 (1) (2) (3) (4) (5)

(1) MB:2.0mm Box Header
 (2) D:DIP Straight
 (3) XX:No. Of Position
 (4) H:Withstand High Temperature Soldering
 (5) H:RoHS Compliant



AUK A MEMBER OF AUK GROUP
太聯事業股份有限公司
AUK CONTRACTORS CO., LTD.

CATEGORY		APPROVED BY		UNLESS OTHERWISE SPECIFIED TOLERANCES ARE					
PART No. MBDXX-HH		MEI		X. ±0.25 X.* ±2°					
DRAWING No. MBDXX-HH		CHECKED BY HZF		.X ±0.20 .X* ±1.5°					
SCALE NONE		DRAWING BY CYP		.XX ±0.15 .XX* ±1°					
REV. BO		UNIT mm		.XXX ±0.10 .XXX* ±0.5°					
REV. BO		REV. BO		NO.REV.		BO NEW RELEASE		HZF 05/09/2018	
REV. BO		REV. BO		NO.REV.		REVISIONS		CHK DATE	