

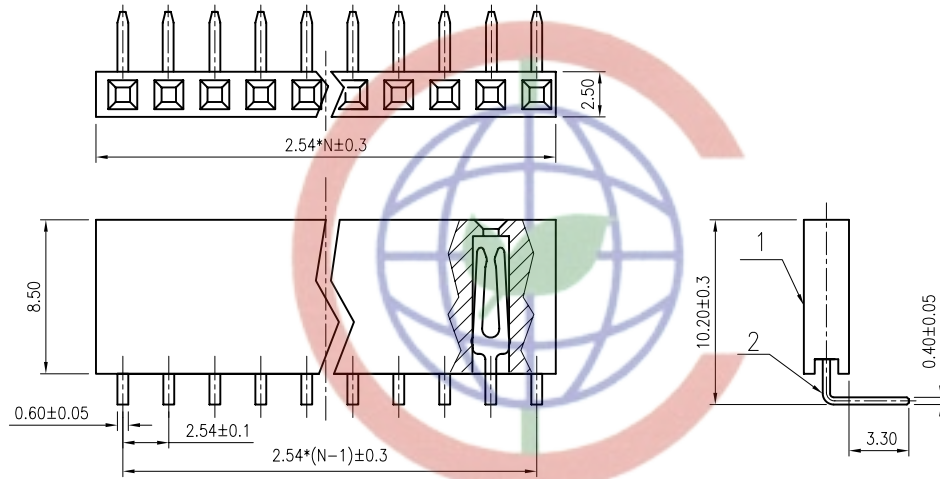
REV.	DESCRIPTION	DRAWN	CHECKED	APPROVED
A	NEW RELEASE	LJH 09/25/05'		LJC 09/25/05'
B	长端子非针尾宽度0.6更改为0.8	LL 11/29/06'		

NOTES:

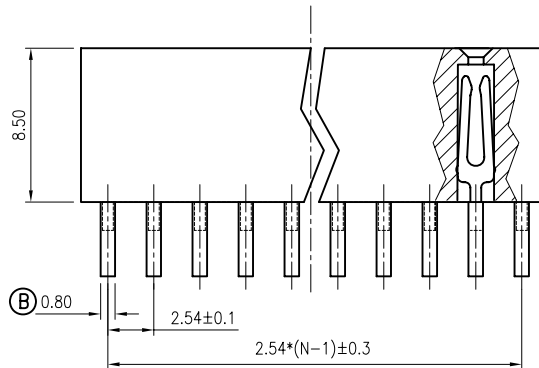
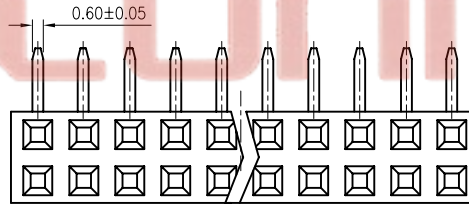
- ELECTRICAL CHARACTERISTICS:
 - CONTACT RESISTANCE: 30mΩ Max. INITIAL.
 - DIELECTRIC WITHSTANDING VOLTAGE: 500V AC(rms) FOR 1 MINUTE.
 - INSULATION RESISTANCE: 1000MΩ Min.
- ENVIRONMENT CHARACTERISTICS:
 - OPERATING TEMPERATURE: 0°C~+85°C.
 - STORAGE TEMPERATURE: -20°C~+70°C.
- PRODUCT NUMBER CODE:

DS1024- X X X

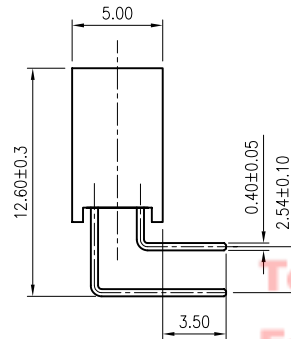
- CONTACT PLATING
F1: FULL GOLD FLASH
0: SECLECTIVE GOLD FLASH
- MOUNTIING TYPE
R: R/A TYPE
- No.OF CONTACTS
1*1-1*40
2*2-2*40



SINGLE ROW
N:NUMBER OF CONTACTS



DUAL ROWS
N:NUMBER OF CONTACTS/2



Tel: 86-574-63508787

Fax: 86-574-63510817

GENERAL TOLERANCE		ANGLE TOLERANCE		PROJECTION	TITLE
X.	±0.60	X.	±5°		FEMALE HEADER PITCH 2.54MM R/A TYPE
.X	±0.38	.X	±3°	mm	
.XX	±0.25	.XX	±2°	A4	SHEET SIZE
					SERIES DS1024 SERIES

ITEM	PART NAME	PART NO.	MATERILAS	FINISHED	DRAWING NO.
2	CONTACT		COPPER ALLOY	GOLD PLATED	
1	HOUSING		THERMOPLASTIC	UL 94 V-0	

DRAWING TYPE	CUSTOMER	SCALE	SHEET	1 OF 1
		1:1		
	C-DS1024-XXXX			

晨翔电子有限公司
CONNFLY CONNFLY ELECTRONIC CO. LTD