

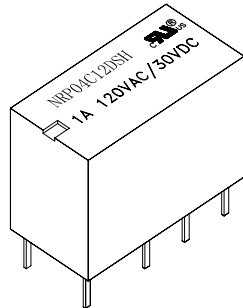


Industrial & Electrical Components

**Miniature
P.C.B Relay**

Part No.

NRP-04



Ultra-small type with dimensions.
High sensitivity:200mW coil power
UL/C-UL recognized
Sealed type available

CONTACT

Arrangement	2A / 2C
Contact Material	Silver Alloy
Contact Resistive	100 mΩ
Rating	2A 120VAC/24VDC
Resistive load (cosφ=1)	1A 120VAC/24VDC
Inductive load (cosφ=0.75)	0.3A 120VAC/24VDC
Max. Switching Voltage	240VAC / 60VDC
Max. Switching Current	3A
Max. Switching Power	120VA / 60W
Expected life	
Mechanical	1×10 ⁷ Min
Electrical	1×10 ⁵ Min.

CHARACTERISTICS

Operate Time	8ms. Max.
Release Time	4ms. Max.
Initial breakdown voltage	
Between Coil & Contact	1000VAC (50/60Hz)for 1 min.
Between Open Contacts	750VAC (50/60Hz)for 1 min.
Insulation Resistance	Min.100MΩ (500 VDC)
Shock: Endurance	50G
Damage	100G
Vibration Endurance	10 to 55 Hz ,1.5mm D.A.
Damage	10 to 55 Hz ,1.5mm D.A.
Humidity	45%~85%RH
Ambient temperature	-25 to +70
Unit weight	≤5.5g

ORDERING INFORMATION

e.g

NRP - 04 - C - 12D - H

Series: Miniature p.c.b Relay

Part No.

Contact Form: C=1C/O; A = N/O; B= N/C

Coil Voltage: 12D= 12Vdc

Nil= 0.36W coil power

H= 0.20W coil power

T= 0.15W coil power

L= 0.45W coil power

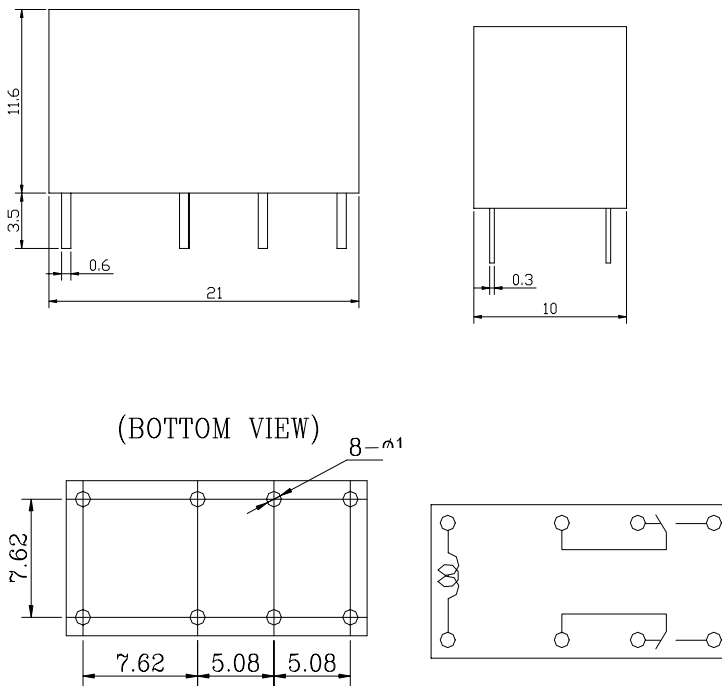
COIL DATA (at 20 °C)

Nominal Voltage (VDC)	Pick-up Voltage VDC(Max)	Drop-out Voltage VDC(Min)	Coil Resistance (Ω)±10%				Nominal operating Power (W)	Max.Allowable Voltage
			Ultra Sensitive 0.15W	High Sensitive 0.20W	Standard 0.36W	Low Sensitive 0.45W		
3	2.25	0.15	60	45	25	20	0.15; 0.20; 0.36 0.45	130% of nominal Voltage
5	3.75	0.25	167	125	70	56		
6	4.50	0.30	240	180	100	80		
9	6.75	0.45	540	405	225	180		
12	9.00	0.60	960	720	400	320		
24	18.00	1.20	---	2880	1600	1280		
48	36.00	2.40	---	---	---	*4600		

* 48Vdc coil, power fixed at 0.50w

DIMENSIONS

Unit: mm



REFERENCE DATA

