

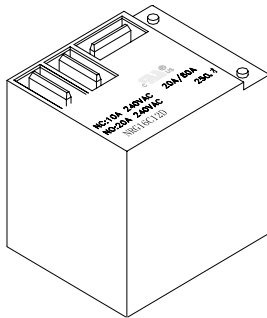


Industrial & Electrical Components

**Miniature
P.C.B Relay**

Part No.

NRP-16



High switching capacity - 30A for 1 Form A
Fasten connection pins
Sealed type available
UL/C-UL recognized

CONTACT

| | |
|-------------------------|------------------------|
| Arrangement | 1A / 1B / 1C |
| Contact Material | Silver Alloy |
| Contact Resistive | 100 mΩ |
| Rating | 1A: 30A 240VAC/28VDC |
| Resistive load (cosφ=1) | 1B: 20A 240VAC/28VDC |
| | 1C: 20A 240VAC/28VDC |
| Max. Switching Voltage | 250VAC 30VDC |
| Max. Switching Current | 30A |
| Max. Switching Power | 6000VA / 560W |
| Expected life | |
| Mechanical | 1×10 ⁶ Min |
| Electrical | 1×10 ⁵ Min. |

CHARACTERISTICS

| | | |
|---------------------------|-----------------------------|-------------------------|
| Operate Time | 15ms. Max. | |
| Release Time | 10ms. Max. | |
| Initial breakdown voltage | | |
| Between Coil & Contact | 2200VAC (50/60Hz)for 1 min. | |
| Between Open Contacts | 1500VAC (50/60Hz)for 1 min. | |
| Insulation Resistance | Min.100MΩ (500 VDC) | |
| Shock: | Endurance | 10G |
| | Damage | 100G |
| Vibration | Endurance | 10 to 55 Hz ,1.5mm D.A. |
| | Damage | 10 to 55 Hz ,1.5mm D.A. |
| Humidity | 40%~85%RH | |
| Ambient temperature | -40 to +70 | |
| Unit weight | 36g | |

ORDERING INFORMATION

e.g

NRP - 16 - C - 12D

Series: Miniature p.c.b Relay

Part No.

Contact Form:

C=1C/O; A = N/O; B= N/C

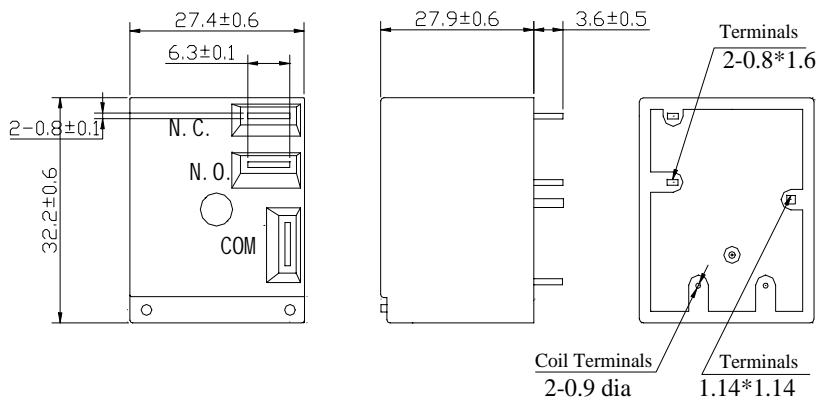
Coil Voltage: 12D= 12Vdc 24D= 24Vdc

COIL DATA (at 20)

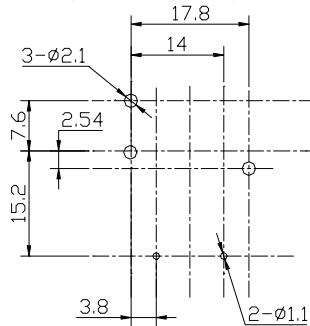
| Nominal Voltage (VDC) | Pick-up Voltage VDC(Max) | Drop-out Voltage VDC(Min) | Coil Resistance (Ω)±10% | Nominal operating Power (W) | Max.Allowable Voltage |
|-----------------------|--------------------------|---------------------------|-------------------------|-----------------------------|-------------------------|
| 5 | 3.75 | 0.50 | 26.9 | 0.93 | 130% of nominal Voltage |
| 6 | 4.50 | 0.60 | 38.8 | | |
| 9 | 6.75 | 0.90 | 87.1 | | |
| 12 | 9.00 | 1.20 | 154.9 | | |
| 24 | 18.00 | 2.40 | 619.4 | | |
| 48 | 36.00 | 4.80 | 2477.5 | | |

DIMENSIONS

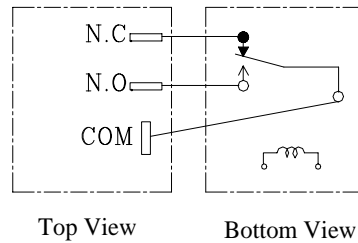
Unit: mm



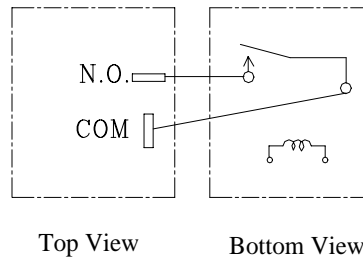
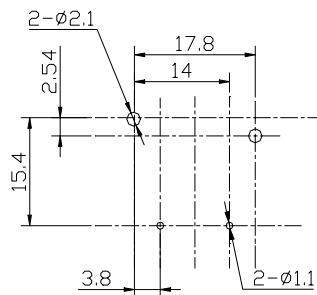
PC board pattern (Bottom View)



Schematic



NRP-16C



NRP-16A