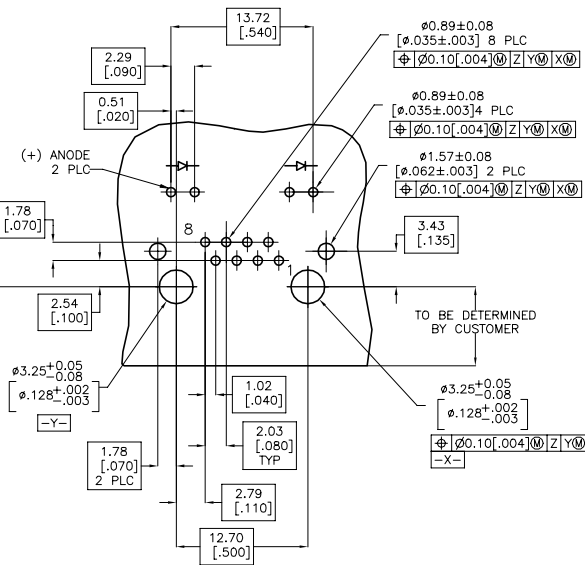
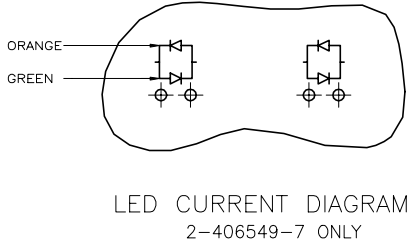
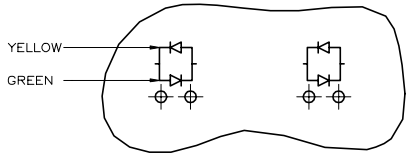
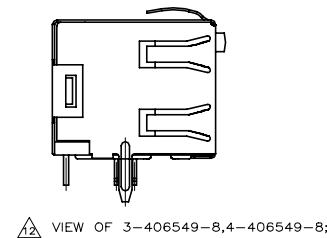
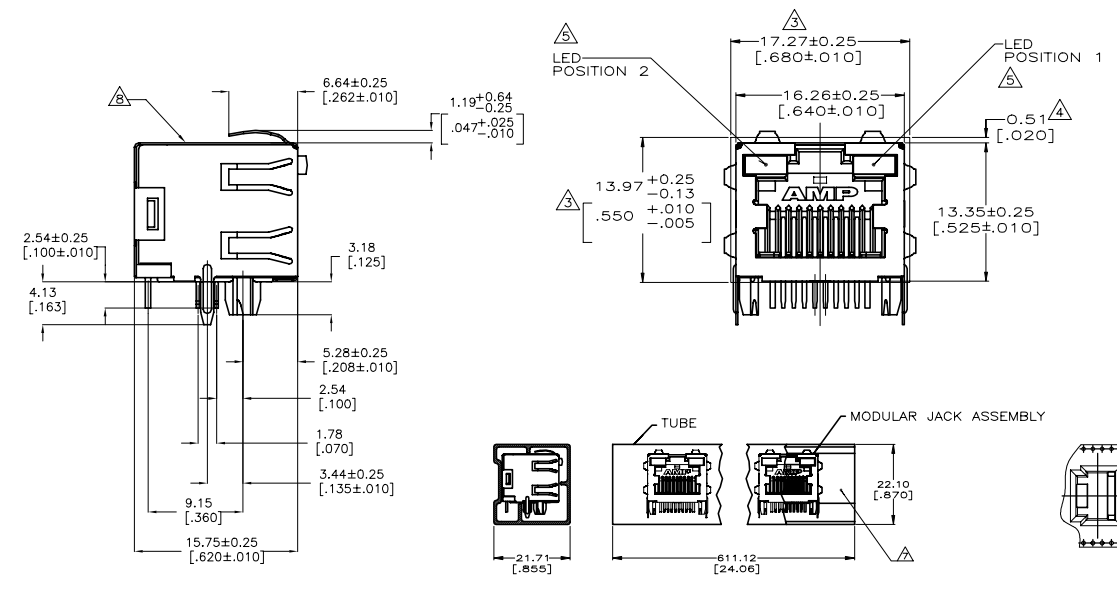


REVISIONS			
REV	DATE	DESCRIPTION	BY
U1	27SEP2020	ECO-18-014918	RR SH



- 1. MATERIAL: HOUSING - HIGH TEMPERATURE THERMOPLASTIC, BLACK, UL94V-0. TERMINALS - 0.36[.014] THICK PHOS BRONZE PLATED WITH 3.81μm[.000150] MINIMUM THICK (SEE P/N TABLE) IN SOLDER AREA. 1.27μm [.000050] MINIMUM GOLD IN LOCALIZED PLATE AREA. ENTIRE TERMINAL PLATED WITH 1.27μm [.000050] MINIMUM THICK NICKEL. SHIELD - 0.196[.0077] THICK COPPER ZINC ALLOY PREPLATED WITH 1.27μm[.000050] MINIMUM SATIN NICKEL WITH 2.03μm[.000080] MINIMUM TIN POST DIPPED ON PCB GROUND TABS. LIGHT EMITTING DIODE (LED) - DIFFUSED EPOXY LENS, 0.51 x 0.51 [.020 x .020] CARBON STEEL WIREFRAME LEADS PLATED WITH 8.89μm[.000350] TIN/COPPER OVER 2.03[0.00080] SILVER OVER 1.02μm[.000040] NICKEL UNDERPLATE OVER 1.02μm[.000040] COPPER UNDERPLATE.
- 2. JACK CAVITY CONFORMS TO FCC RULES AND REGULATIONS PART 68, SUBPART F.
- 3. SUGGESTED PANEL OPENING DIMENSIONS.
- 4. SUGGESTED CLEARANCE BETWEEN TOP OF CONNECTOR AND TOP PANEL OPENING.
- 5. SEE TABLE FOR COLOR OF LEDS AND NUMBER REQUIRED.
- 6. THIS MODULAR JACK WITH INTEGRATED LED IS NOT IR REFLOW SOLDERING PROCESS COMPATIBLE.
- 7. PACKAGED 30 PIECES PER TUBE, SEE DETAIL "A".
- 8. MANUFACTURING DATE CODE: LOCATED APPROX. AS SHOWN. FIRST 2 DIGITS = LAST 2 DIGITS OF YEAR. NEXT 2 DIGITS = MANUFACTURING WORK WEEK. LAST DIGIT = DAY OF WEEK WITH SUNDAY = 1.
- 9. THE PART IS PRELIMINARY.
- 10. OBSOLETE PARTS: OBSOLETE CIS STREAMLINING PER D.RENAUD/D.SINIS
- 11. TAPE REEL PACKAGE ,SEE DETAIL B.
- 12. WITHOUT PLASTIC POST, SEE VIEW OF 3-406549-8, AND 4-406549-8;
- 13. REFLOW SOLDER PROCESS COMPATIBLE.

REV	DATE	DESCRIPTION	BY	INDICATOR COLOR	PART NUMBER
1	17-SEP-97		D.S. GARRETT	YELLOW/GREEN	4-406549-8
2	17-SEP-97		D.S. GARRETT	YELLOW/GREEN	3-406549-8
3				GREEN/RED	3-406549-3
4				RED	3-406549-2
5				YELLOW	3-406549-1
6				ORANGE/GREEN	3-406549-0
7				ORANGE/GREEN	2-406549-9
8				ORANGE/GREEN	2-406549-8
9				ORANGE/GREEN	2-406549-7
10				YELLOW	2-406549-6
11				GREEN	2-406549-5
12				GREEN	2-406549-4
13				YELLOW	2-406549-3
14				GREEN	2-406549-2
15				GREEN	2-406549-1
16				YELLOW/GREEN	406549-8
17				YELLOW	406549-6
18				GREEN	406549-5
19				GREEN	406549-4
20				YELLOW	406549-3
21				GREEN	406549-2
22				GREEN	406549-1
23				YELLOW/GREEN	406549-8
24				YELLOW	406549-6
25				GREEN	406549-5
26				GREEN	406549-4
27				YELLOW	406549-3
28				GREEN	406549-2
29				GREEN	406549-1

THIS DRAWING IS A CONTROLLED DOCUMENT.

DIMENSIONS: mm (INCHES)	DATE: 17-SEP-97	DRG: D.S. GARRETT	REV: 17-SEP-97
APPROVED: J.M. DERSTINE	NAME: INVERTED MODULAR JACK ASSEMBLY, 1X1, SHIELDED, PANEL GROUND, LED	DATE: 17-SEP-97	REV: 17-SEP-97
PRODUCT SPEC: 108-1163-4	APPLICATION SPEC: 114-2154	SIZE: 4:1	DRAWING NO: 100779
MATERIAL: SEE NOTE 1	FINISH: SEE NOTE 1	WEIGHT: 0.000000	REV: 1
CUSTOMER DRAWING		SCALE: 4:1 SHEET: 1 OF 1 REV: U1	