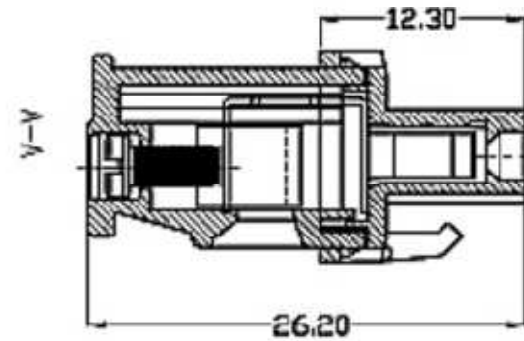
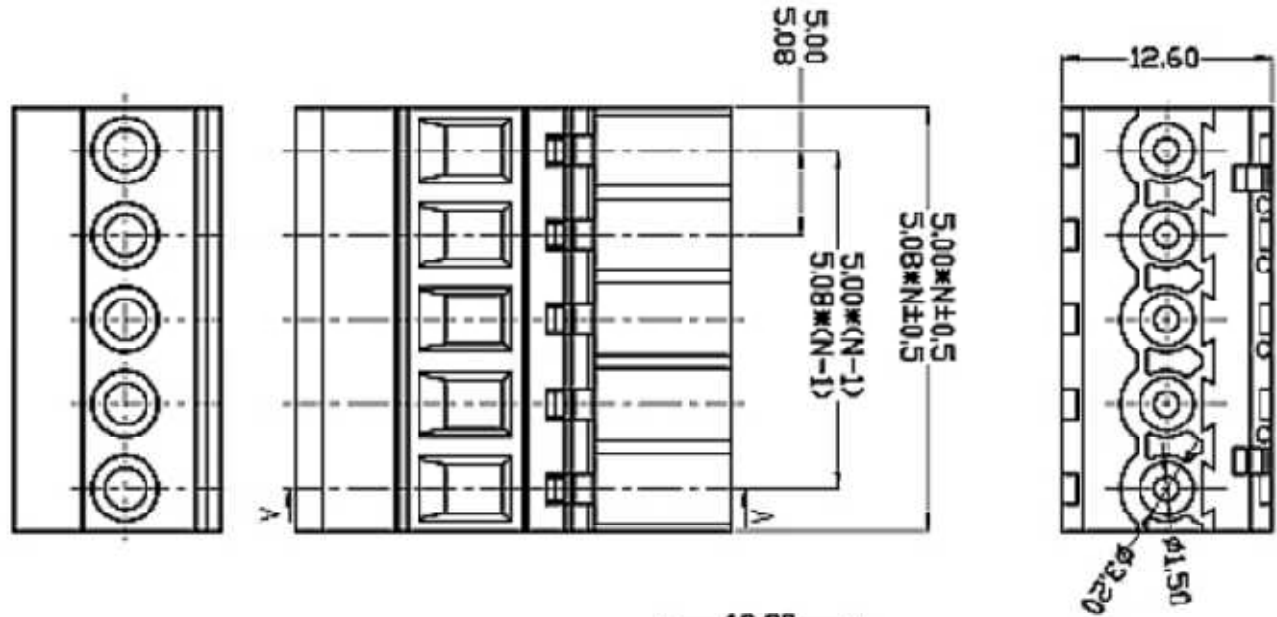




color: green
pitch: 5.0/5.08mm
certification: UL, CE, VDE, CQC
Type: Female/ROHS



1. Material:

- Contact : Phosphor bronze
- Screws : M2.5 steel zinc plated
- Housing : PA66, UL94V-0

2. Electrical:

- Rated voltage : 300V
- rated current : 15A
- contact resistance : 20m Ω
- insulation resistance: 5000M Ω /1000V
- withstanding voltage: AC1500V/1Min

3. Mechanical:

- temp. range: -40 $^{\circ}$ C...+105 $^{\circ}$ C
- max soldering: +250 $^{\circ}$ C for 5 sec.
- Torque: 0.5Nm(4.5IB.IN)
- strip length: 7-8mm

HOW TO ORDER

