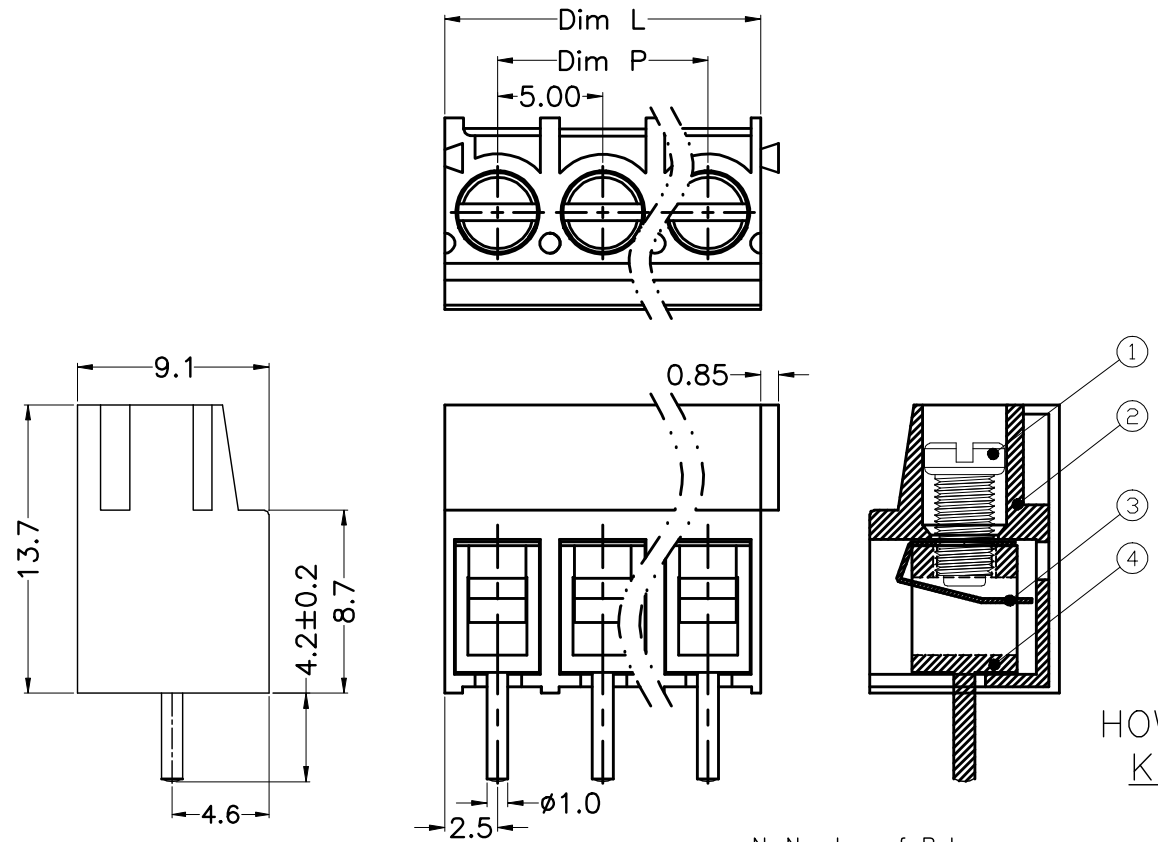


REV.	DESCRIPTION	DATE	DRAWN	APPROVED
A1	DWG.REL	2016/10/7	FANG	YANG

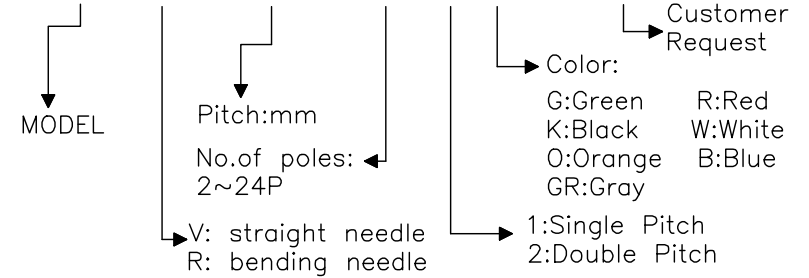


- Material
  - ①Screws : M3.0 steel, Zinc plated, “-” slot type
  - ②Housing : PA66, UL94V-0
  - ③Reed : Phosphor bronze, Ni plated or stainless steel
  - ④Pin header : Brass, Tin plated
- Electrical
 

	UL	IEC
Rated voltage :	300V	250V
Rated current :	12A	25A
Insulation resistance:	500MΩ/DC500V	
Withstanding Voltage :	AC2000V/1min	
Wire range:	22-14AWG	2.5mm <sup>2</sup>
- Mechanical
  - Operating temperature: -40℃~+105℃
  - Soldering temperature: 250℃±5/5sec
  - Torque: 0.5N.m (4.43Lb.in)
  - Strip length: 4.5-5mm

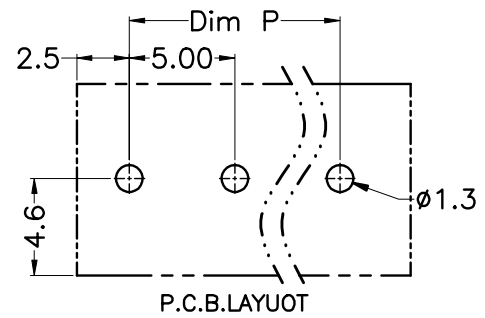
HOW TO ORDER

KF306 V -5.0-XXP-1 X-XXXXX



N=Number of Poles  
 Dim P=(N-1)x5.00  
 Dim L=Nx5.00

Poles	Dim P	Dim L
2-6P	±0.10	±0.15
7-12P	±0.20	±0.20
13-18P	±0.25	±0.30
19-24P	±0.30	±0.40



GENERAL TOLERANCE		ANGLE TOLERANCE	
X.	±0.5	X'.	±5'
.X	±0.3	.X'	±3'
.XX	±0.1	.XX'	±1'

PROJECTION	TITLE
	KF306V-5.0-XXP
UNITS	mm
SHEET SIZE	A4
SERIES	KF306V

DRAWING TYPE	CUSTOMER		
SCALE	1:1	SHEET	1 OF 1
DRAWING NO.	XP0012016-xxxx		

**DF** 慈溪市凯峰电子有限公司  
 KAI FENG ELECTRONIC CIXI KAIFENG ELECTRONIC CO.,LTD