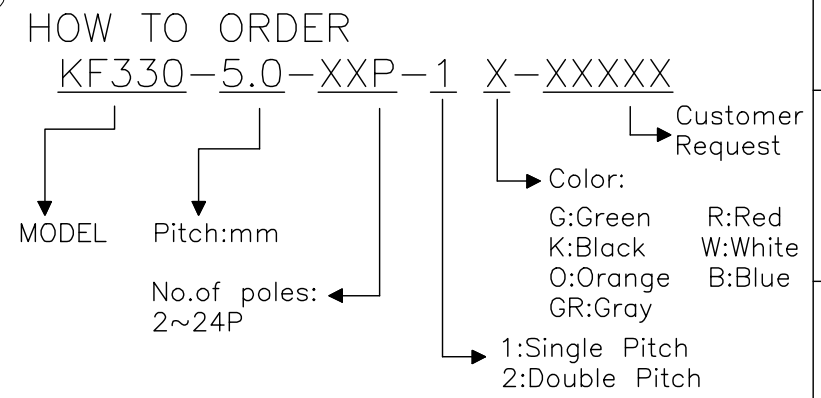
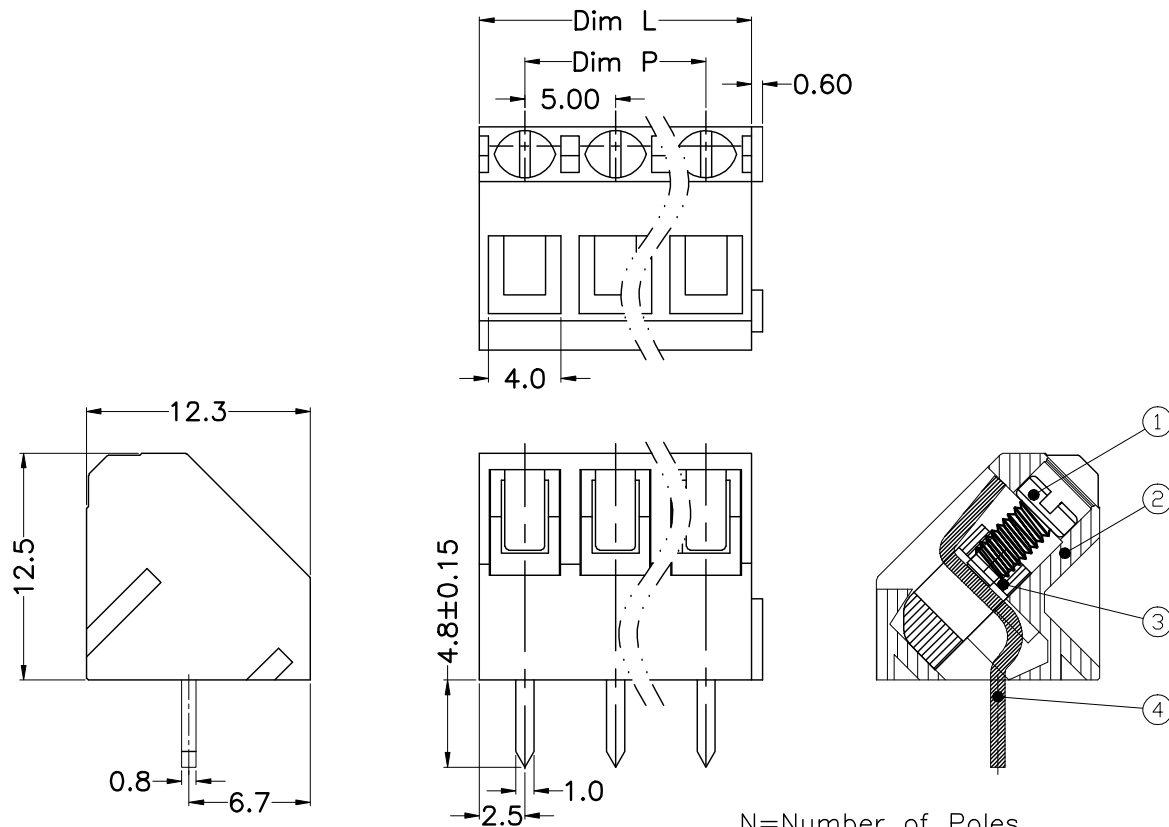


| REV. | DESCRIPTION | DATE | DRAWN | APPROVED |
|------|-------------|-----------|-------|----------|
| A1 | DWG.REL | 2016/10/7 | FANG | YANG |

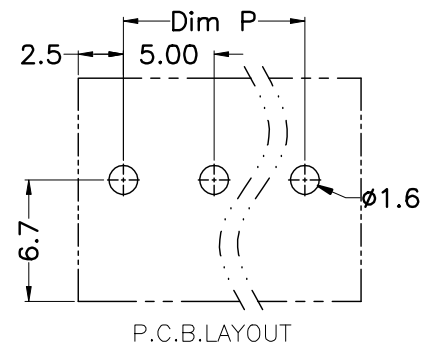
- Material
 - ①Screws : M2.5 steel, Zinc plated, “-” slot type
 - ②Housing : PA66, UL94V-0
 - ③Clamp : Brass, Ni plated
 - ④Pin header : Brass, Tin plated
- Electrical

| | |
|---|------|
| UL | IEC |
| Rated voltage : 300V | 250V |
| Rated current : 15A | 24A |
| Insulation resistance: 500MΩ/DC500V | |
| Withstanding Voltage : AC2000V/1min | |
| Wire range: 22-14AWG 2.5mm ² | |
- Mechanical
 - Operating temperature: -40℃~+105℃
 - Soldering temperature: 250℃±5/5sec
 - Torque: 0.4N.m (3.54Lb.in)
 - Strip length: 4.5-5mm



N=Number of Poles
 Dim P=(N-1)x5.00
 Dim L=Nx5.00

| Poles | Dim | Dim P | Dim L |
|--------|-----|-------|-------|
| 2-6P | | ±0.10 | ±0.15 |
| 7-12P | | ±0.20 | ±0.20 |
| 13-18P | | ±0.25 | ±0.30 |
| 19-24P | | ±0.30 | ±0.40 |



| GENERAL TOLERANCE | | ANGLE TOLERANCE | |
|-------------------|------|-----------------|-----|
| X. | ±0.5 | X'. | ±5' |
| .X | ±0.3 | .X' | ±3' |
| .XX | ±0.1 | .XX' | ±1' |

| DRAWING TYPE | CUSTOMER | | |
|--------------|----------------|-------|--------|
| SCALE | 1:1 | SHEET | 1 OF 1 |
| DRAWING NO. | XP0012016-xxxx | | |

| PROJECTION | TITLE |
|------------|----------------|
| UNITS | KF330-5.0-XXP |
| SHEET SIZE | SERIES KF330 |

DF 慈溪市凯峰电子有限公司
 KAI FENG ELECTRONIC CIXI KAIFENG ELECTRONIC CO.LTD