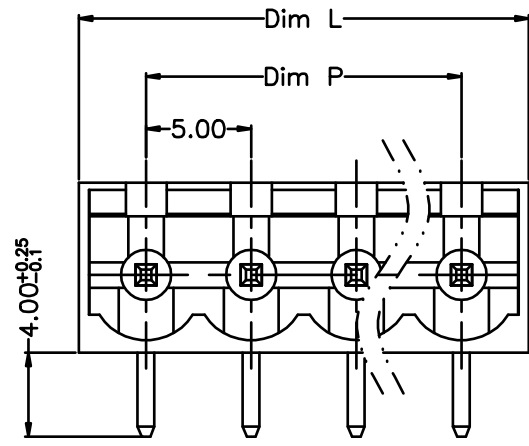
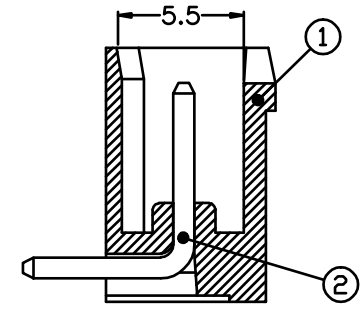
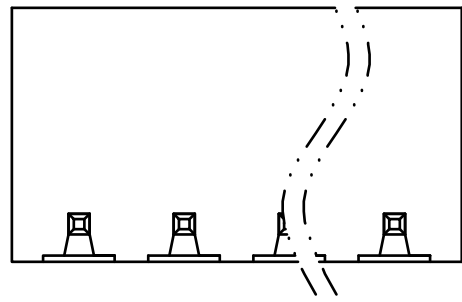
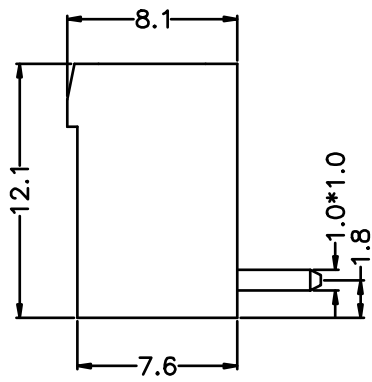


REV.	DESCRIPTION	DATE	DRAWN	APPROVED
A1	DWG.REL	2016/10/7	FANG	YANG

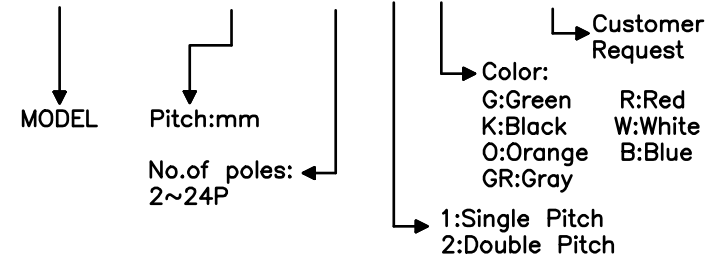


- Material
 ○Housing : PA66, UL94V-0
 ○Pin header : Brass, Tin plated
- Electrical
 UL IEC
 Rated voltage : 300V 320V
 Rated current : 15A 20A
 Insulation resistance: 500MΩ/DC500V
 Withstanding Voltage : AC2000V/1min
- Mechanical
 Operating temperature: -40℃~+105℃
 Soldering temperature: 250℃±5/5sec



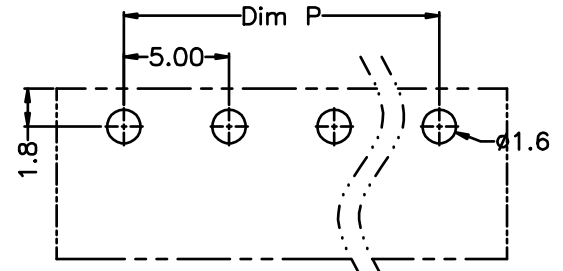
HOW TO ORDER

KF2EDGCR-X-5.0-XXP-1 X-XXXXX



N=Number of Poles
 Dim P=(N-1)x5.00
 Dim L=Nx5.00+1.4

Poles	Dim	Dim P	Dim L
2-6P		±0.10	±0.15
7-12P		±0.20	±0.20
13-18P		±0.25	±0.30
19-24P		±0.30	±0.40



P.C.B.LAYUOT

GENERAL TOLERANCE		ANGLE TOLERANCE	
X.	±0.5	X°	±5°
.X	±0.3	.X°	±3°
.XX	±0.1	.XX°	±1°

PROJECTION	TITLE
UNITS	mm
SHEET SIZE	A4
SERIES	KF2EDGCR-X

DRAWING TYPE	CUSTOMER		
SCALE	1:1	SHEET	1 OF 1
DRAWING NO.	XP0012016-xxxx		

DF 慈溪市凯峰电子有限公司
 KAIFENG ELECTRONIC CIXI KAIFENG ELECTRONIC CO.,LTD