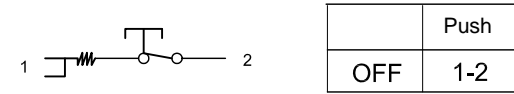
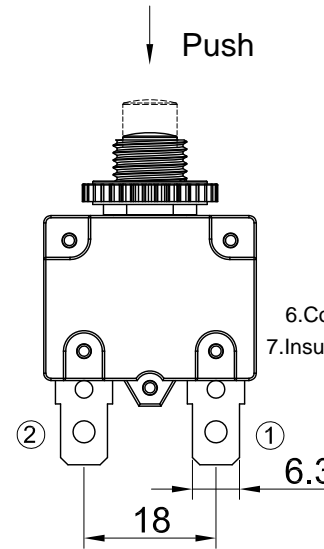
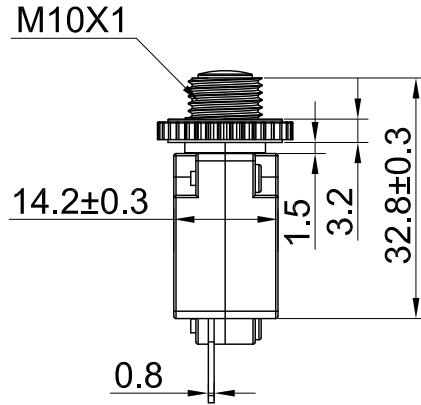
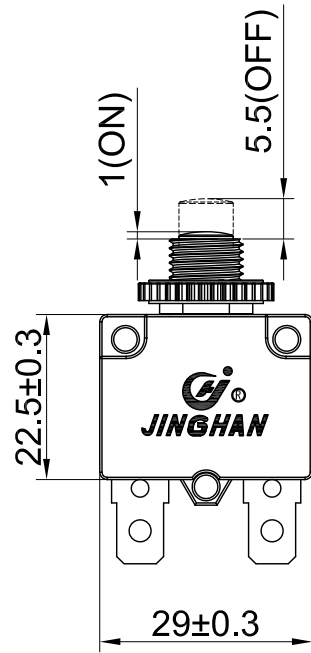


Specification

Technical Specification

- 1.The surface is clean after whole assembling,without injury、hollow,the base has no crack;
- 2.The button is flexible when people press it,the sound is clear,without any stop、noise.
- 3.The sizes which haven't been noted is set according to (GB/T14486-2008-MT6B);
- 4.Circuit Diagram:



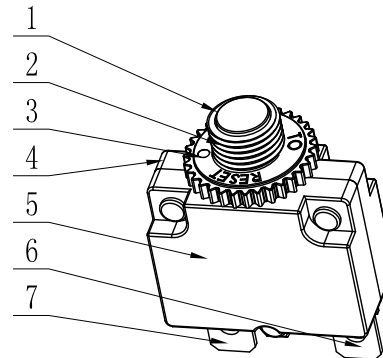
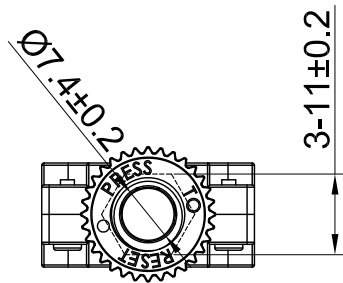
5 Rated Ampere And Voltage:

TUV.CE : 5 A 125/250V AC. 50/60Hz 48V DC T85/55 5E4

6.Contact resistance : $\leq 50m\Omega$

7.Insulated resistance : $\geq 100M\Omega$

8.Dielectric strength : 1500VAC/5S



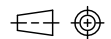
| | | | | |
|----|-----------------|----------|-------|--------------------|
| 7 | Left side pin | H62Y2 | 1 | copper tin plating |
| 6 | Right side pin | H62Y2 | 1 | copper tin plating |
| 5 | Upper cover | PA66 | 1 | Black |
| 4 | Bottom cover | PA66 | 1 | Black |
| 3 | Nut | PA66 | 1 | Black |
| 2 | threaded column | PA66 | 1 | Black |
| 1 | Button | PA66 | 1 | Red |
| NO | Name | Material | Quan. | Noted |

Size : 尺寸

Ratio

1:1

Des :



Unit

mm

Exa :

Name :

KBF-1-01

NO :

KBF-1



乐清市晶瀚电子有限公司

YUEQING JINGHAN ELECTRONIC CO.,LTD

地址:浙江省乐清市蒲岐镇特色工业园区

电话:0577-62306675 62308875 传真: 0577-62308861

Mark change content

Date

Edition : A/0

Page : 1/1

App :