

● General Specifications

➤ Material:

1. Frame: Plastic (UL94V-0);
2. Impeller: Plastic (UL94V-0);
3. Lead Wire: UL1007AWG#24 or Equivalent (+) Red, (-) Black.

➤ Expected Life:

1. 50000 hrs (40°C) Ball Bearing;
2. 30000 hrs (40°C) Sleeve Bearing.

➤ Temperature Range:

1. Operating temperature -10°C ~ +70°C (Non condensing);
2. Storage temperature -40°C ~ +70°C (Non condensing).

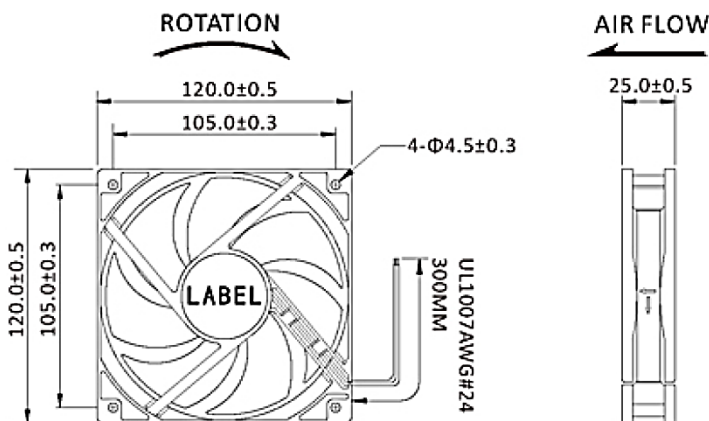


● Specifications

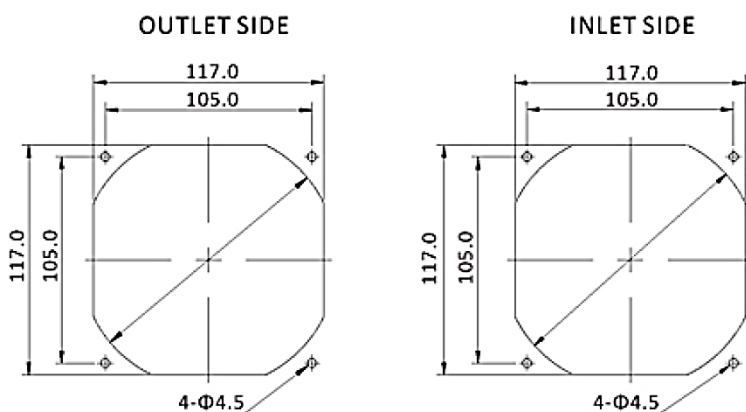
Model	Rated Voltage	Operating Voltage	Rated Current	Input Power	Speed	Max Air Flow		Max Static Pressure		Noise	Weight
						CFM	m ³ /min	Inch-H ₂ O	Pa		
Part N	VDC	VDC	A	W	RPM	CFM	m ³ /min	Inch-H ₂ O	Pa	dB-A	g
FD12025B(S)12U	12	7.0~13.8	0.60	9.60	3500	122.12	3.46	0.31	77.47	49	140
FD12025B(S)12H	12	7.0~13.8	0.38	6.00	3000	103.92	2.94	0.24	60.51	44	140
FD12025B(S)12M	12	7.0~13.8	0.30	4.80	2500	86.65	2.45	0.18	44.03	39	140
FD12025B(S)12L	12	7.0~13.8	0.15	2.40	2000	67.01	1.90	0.10	26.09	35	140
FD12025B(S)24U	24	14.0~27.6	0.43	12.00	3500	122.12	3.46	0.31	77.47	49	140
FD12025B(S)24H	24	14.0~27.6	0.23	9.60	3000	103.92	2.94	0.24	60.51	44	140
FD12025B(S)24M	24	14.0~27.6	0.16	6.00	2500	86.65	2.45	0.18	44.03	39	140
FD12025B(S)24L	24	14.0~27.6	0.09	3.60	2000	67.01	1.90	0.10	26.09	35	140
FD12025B(S)48U	48	28.0~56.0	0.20	19.20	3500	122.12	3.46	0.31	77.47	49	140
FD12025B(S)48H	48	28.0~56.0	0.18	14.40	3000	103.92	2.94	0.24	60.51	44	140
FD12025B(S)48M	48	28.0~56.0	0.15	9.60	2500	86.65	2.45	0.18	44.03	39	140
FD12025B(S)48L	48	28.0~56.0	0.09	4.80	2000	67.01	1.90	0.10	26.09	35	140

Specification are subject to change without notice.

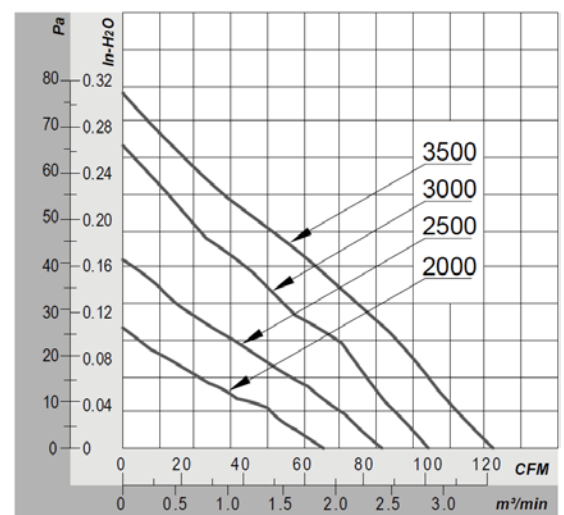
● Dimension (Unit: mm)



● Mounting Panel Cutout (Unit: mm)



● PQ Curve (At Rated Voltage)



● Safety standards

