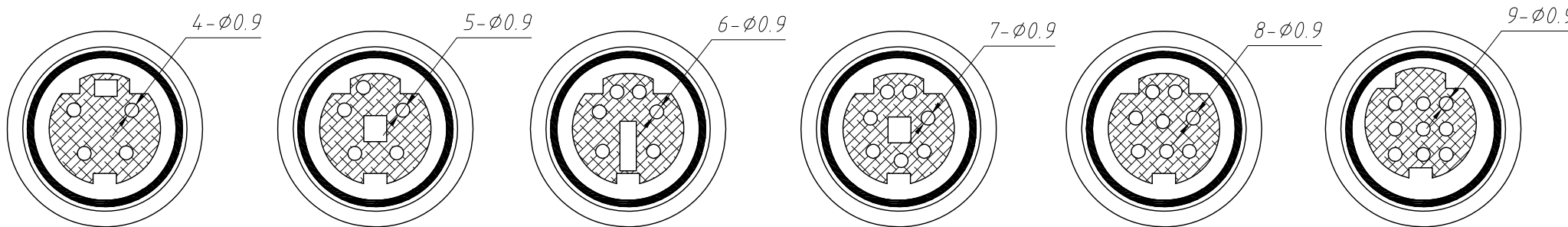
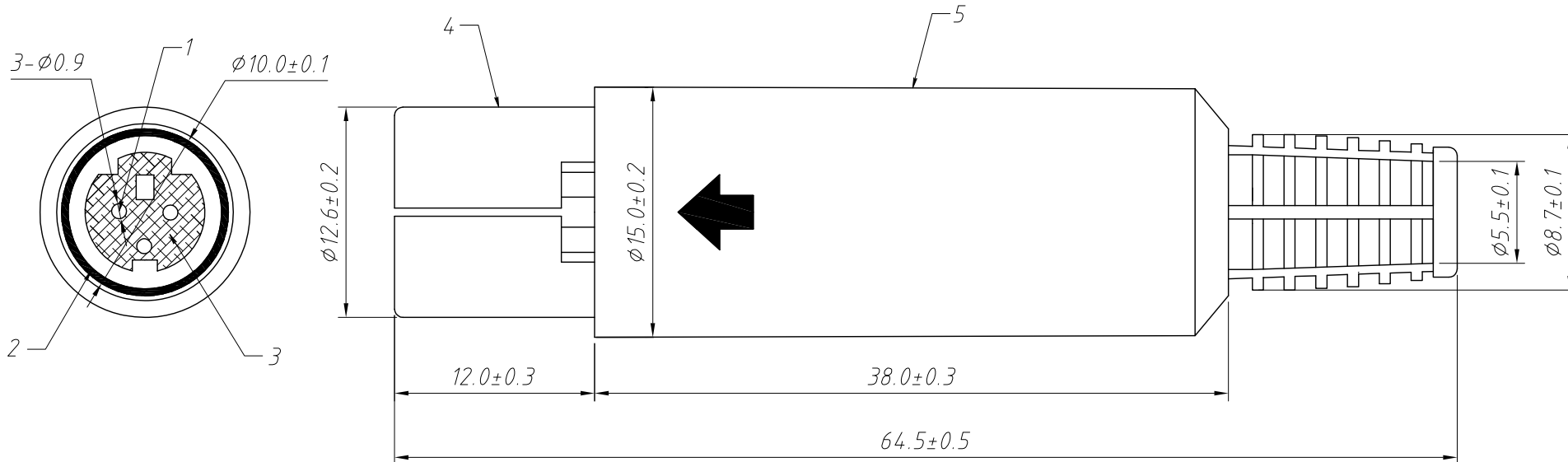


1 RoHS Compliance



4 Pin

5 Pin

6 Pin

7 Pin

8 Pin

9 Pin

Material:

- 1.PIN:Brass
- 2.Metal Tube:Brass
- 3.Dielectric:PBT
- 4.Plastic Handle:ABS
- 5.Back Suite:ABS

Order Information:

L-KLS1-294-F-XX-B

L: RoHS

Type:

M-MALE F-FEMALE

Pins:03-09 Pin

B-BLACK

ANGLE TOLERANCE	PROJECTION	Description:	
±3°		Mini Din Plug With Plastic Handle (3-9P)	
GENERAL TOLERANCE	UNITS	mm	KLS P/N:
x.x ±0.30	SHEET SIZE	A4	L-KLS1-294-F-XX-B
x.xx ±0.20	Draw:	Daniel	2018-07-10
x.xxx ±0.10	Check:	Daniel	2018-07-10



NingBo KLS ELECTRONIC CO.,L TD.

1
RoHS Compliance

2

3

4

5

6

7

8

A

B

C

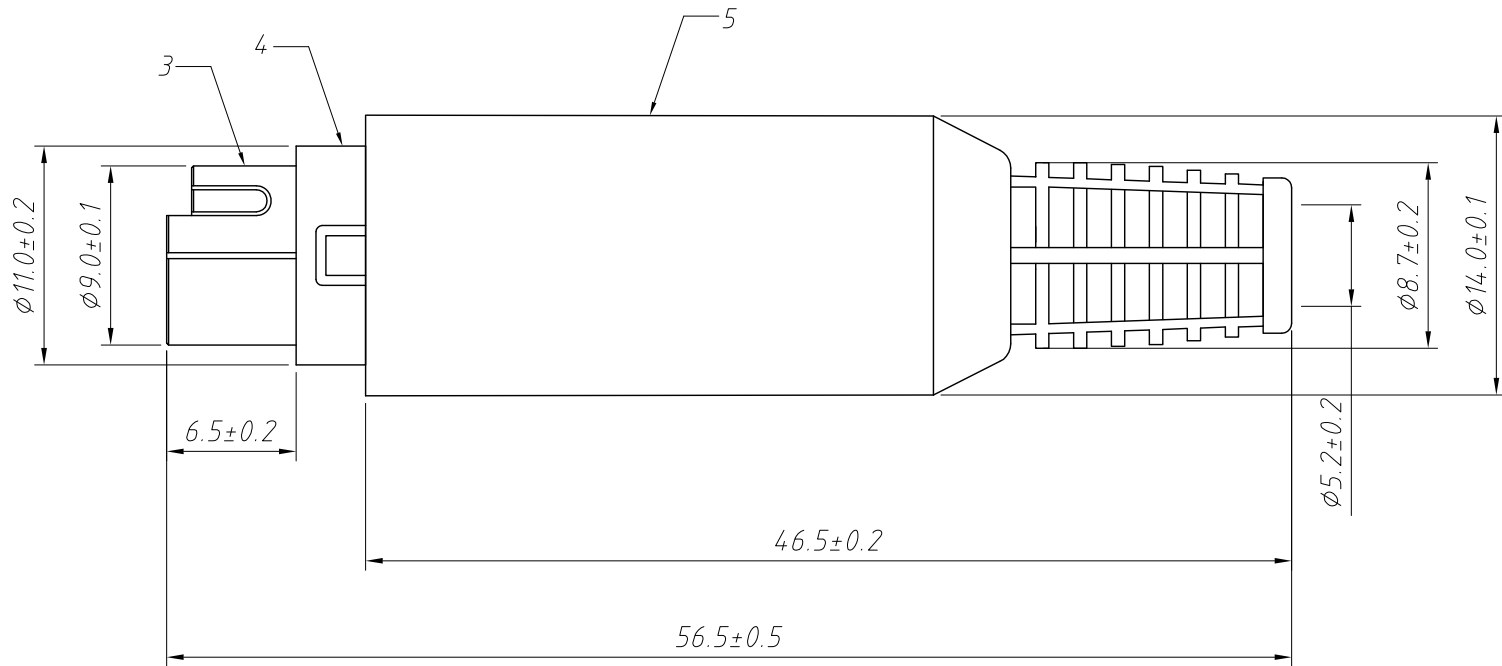
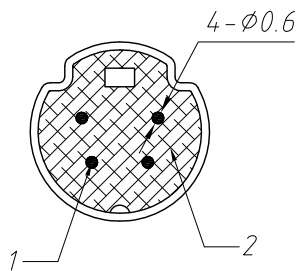
D

E

F

G

H



Material:

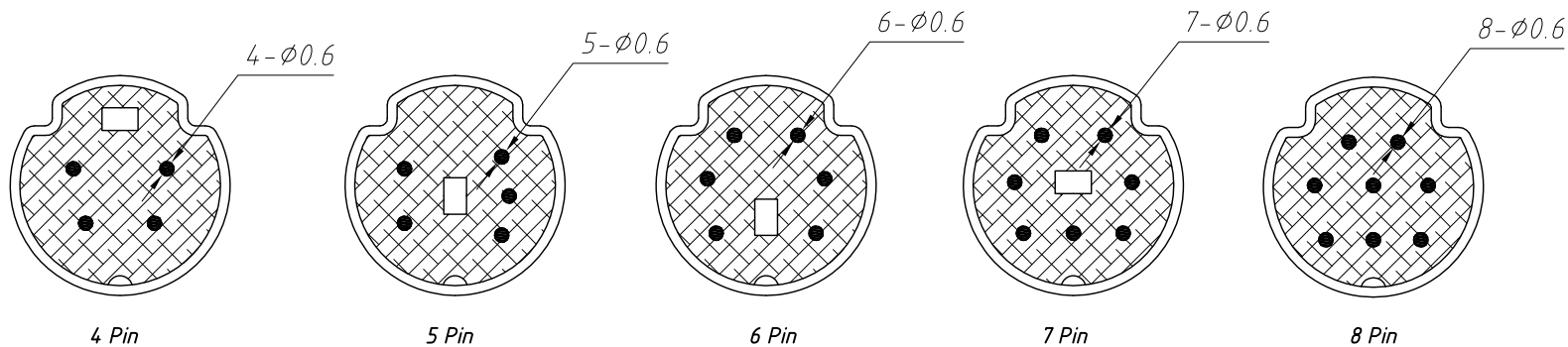
1.PIN:Brass

2.Dielectric:PBT

3.Metal Tube:Brass

4.Colloid:PE

5.Shell:PE



Order Information:

L-KLS1-294-M-XX-B

L: RoHS

Type:

M-MALE F-FEMALE

Pins:03-09 Pin

B-BLACK

ANGLE TOLERANCE	PROJECTION	Description:	
$\pm 3^\circ$		Mini Din Plug With Plastic Handle (4-8P)	
GENERAL TOLERANCE	UNITS	mm	KLS P/N:
x.x ± 0.30	SHEET SIZE	A4	L-KLS1-294-M-04-B
x.xx ± 0.20	Draw:	Daniel	2018-07-10
x.xxx ± 0.10	Check:	Daniel	2018-07-10



NingBo KLS ELECTRONIC CO.,L TD.