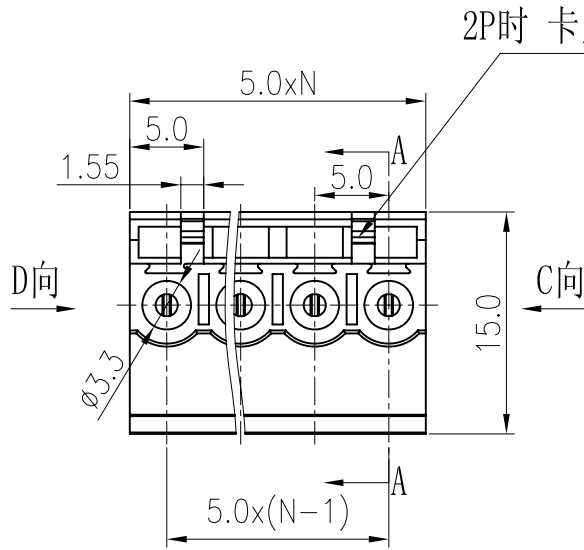
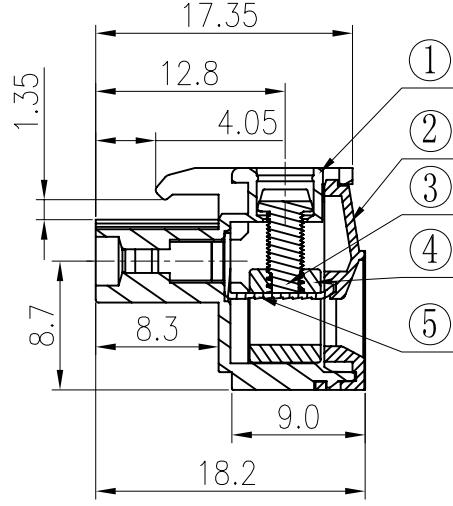


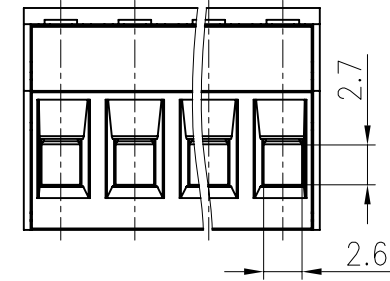
| REVISION RECORD | | | | |
|-----------------|-----|------------------|-------|----------|
| REV | ECO | DESCRIPTION | DRFT | DATE |
| △ | | 品名、料号增加环保标示“(H)” | LJH | 12/11/07 |
| △ | | 新开模结构全面修改 | Apple | 10/20/08 |



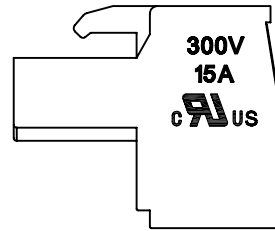
2P时 卡点在右边



Section A-A



View D



View C

Notes:

- Pitch: 5.0mm, Poles: 2-18P
- Rated voltage/current: UL 300V/15A
IEC 320V/20A
- Operation temperatures: -40°C ~ +105°C
- Withstanding Voltage: AC1500V/1min
- Insulation Resistance: 5000MΩ/DC1000V
- Wire Range: 28~12AWG, 2.5mm²
- Max. Torque Value: M2.5, 4.08Kgf.cm
- Undimensioned Tolerances:

| Pitch range in mm | | Nominal dimension range in mm | | | | |
|-------------------|---------|-------------------------------|----------|-----------|------------|------------|
| to | over | to | over | to | over | |
| 6 | 6 to 10 | 10 to 24 | 30 to 60 | 60 to 100 | 100 to 150 | 150 |
| ±0.10 | ±0.15 | ±0.25 | ±0.2 | ±0.3 | ±0.5 | ±0.7 ± 1.0 |
| | | | | | | 0.05/10 |

| ITEM | NAME OF PART | NO. OF PART | Q'TY | MATERIAL | NOTES |
|------|---------------------|----------------|------|----------------|---------------------|
| 5 | 2EDGKF-Clamp | 1070B00010 (H) | XX | Phospor Bronze | SnCe |
| 4 | DG128 Brass cage | X000000020 (H) | XX | Brass | Ni plated |
| 3 | 2EDG "—"Screws-M2.5 | S000001370 (H) | XX | Steel | Cr ³⁺ Zn |
| 2 | 2EDGKF-5.0-Cover | 1070COYXXA (H) | 1 | PA66 | UL94V-0 |

| | | | | | |
|------------------------|--------------------|----------------------|--|----------|---------|
| 1 | 2EDGKF-5.0-Housing | 1070A0YXXA (H) | 1 | PA66 | UL94V-0 |
| NAME OF PART | | NO. OF PART | Q'TY | MATERIAL | NOTES |
| DFTO Apple | | DATE 10/20/08 | DEGSON 宁波高正电子有限公司 DEGSON ELECTRONICS CO., LTD | | |
| CHKD | | DATE | NAME | | |
| MFO | | DATE | 2EDGKF-5.0-XXP-1Y-00A(H) | | |
| APPVL | | DATE | DRAWING NO. 2EDGKF-5.0-E01 | | |
| MATERIAL : | | FINISH : | | | |
| ANGLES ± 1' | | SCALE : 1:1 | | | |
| THIRD ANGLE PROJECTION | | DO NOT SCALE DRAWING | | | |
| | | | | SHEET 1 | OF 1 |