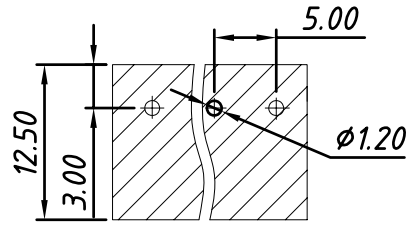
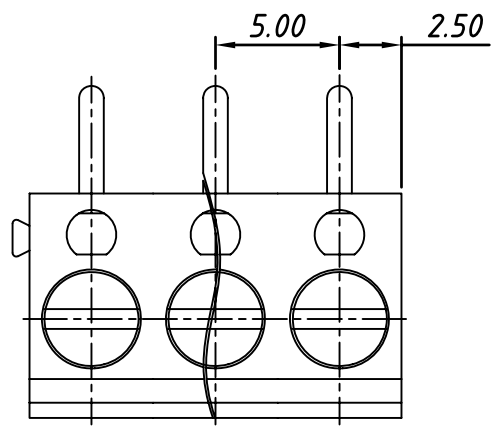


SECTION A-A



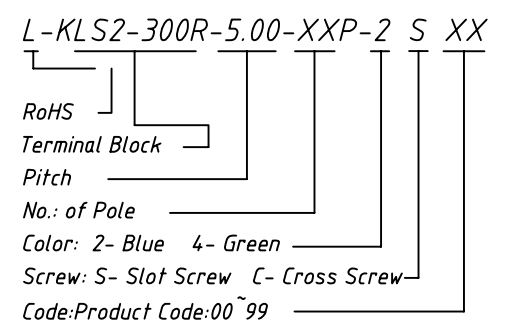
PCB LAYOUT

Material
 Screw: M3.0, steel, Zn plated
 Cage: Phosphor Bronze, Nickel plated
 Pin header: Brass, Tin plated
 Housing: PA66, UL94V-0, Blue

Electrical
 Rated voltage: 250V
 Rated current: 16A
 Wire range: 22~14AWG 1.5mm²
 Contact Resistance: 20 mΩ
 Insulation resistance: 500MΩ/DC500V
 Withstand voltage: AC2000V / 1min

Mechanical
 Temp. Range: -30 °C ~ +105 °C
 Soldering: 250 °C 5Sec. Max.
 Torque: 0.5 N.m (4.43 Lb. in)
 Strip length: 4.5~5 mm

Order Information



GENERAL TOLERANCE		ANGLE TOLERANCE		PROJECTION	Description:
.X ±0.60	.X ±0.38	.X ±5°	.X ±3°	UNITS	Screw CONN TERM BLOCK 5.00MM
.XX ±0.25	.XX ±2°	.XX ±2°	.XX ±2°	SHEET SIZE	
Draw by: Date		2015-09-01			
Check by: Date		2015-09-15			
SCALE		SHEET		OF	

KLS ELECTRONIC CO., LTD.